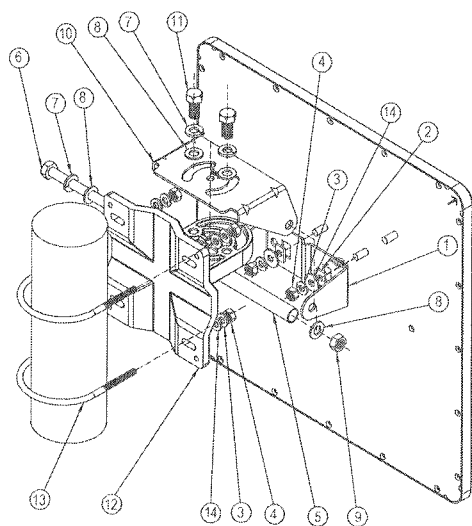
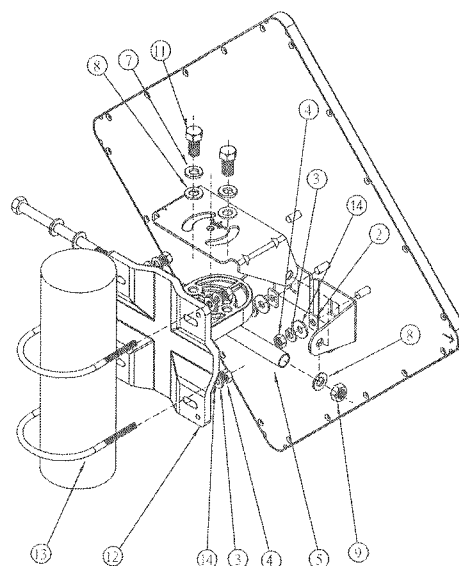


## Pole Mount

Slant±45 Degree Polarization

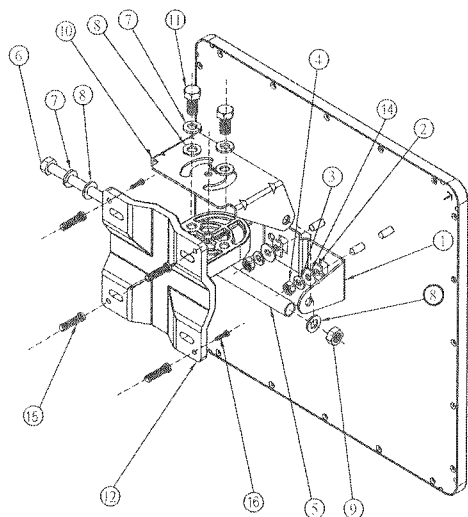


Hor. & Ver. Polarization

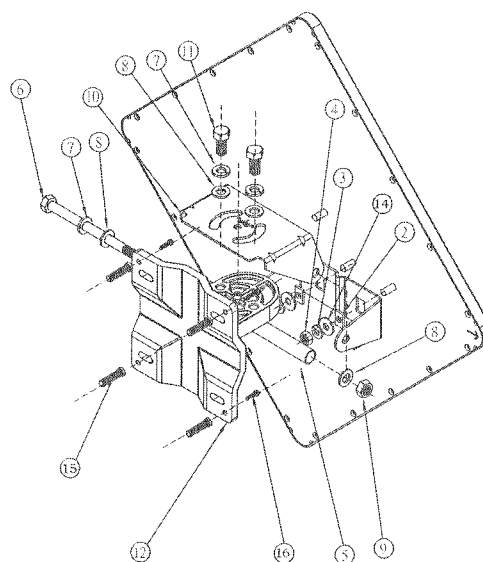


## Wall Mount

Slant±45 Degree Polarization



Hor. & Ver. Polarization



- |                       |      |
|-----------------------|------|
| 1. M-Type breaket (L) | 1Pcs |
| 2. Space Keeper       | 2Pcs |
| 3. Spaing washer      | 6Pcs |
| 4. M6-1.0 Nut         | 6Pcs |
| 5. Steel tube 93.2 mm | 1Pcs |
| 6. XHM8-1.25*120      | 1Pcs |
| 7. M8 spring washer   | 3Pcs |
| 8. M8 washer          | 4Pcs |
| 9. M8 Nut             | 1Pcs |

- |                        |      |
|------------------------|------|
| 10. Rotating bracket   | 1Pcs |
| 11. XHM8-1.25*20       | 2Pcs |
| 12. Mounting main fram | 1Pcs |
| 13. U-Type Screw       | 2Pcs |
| 14. M6 washer          | 6Pcs |
| 15. Wall Tiger         | 4Pcs |
| 16. TH 5/32-16*1"      | 4Pcs |