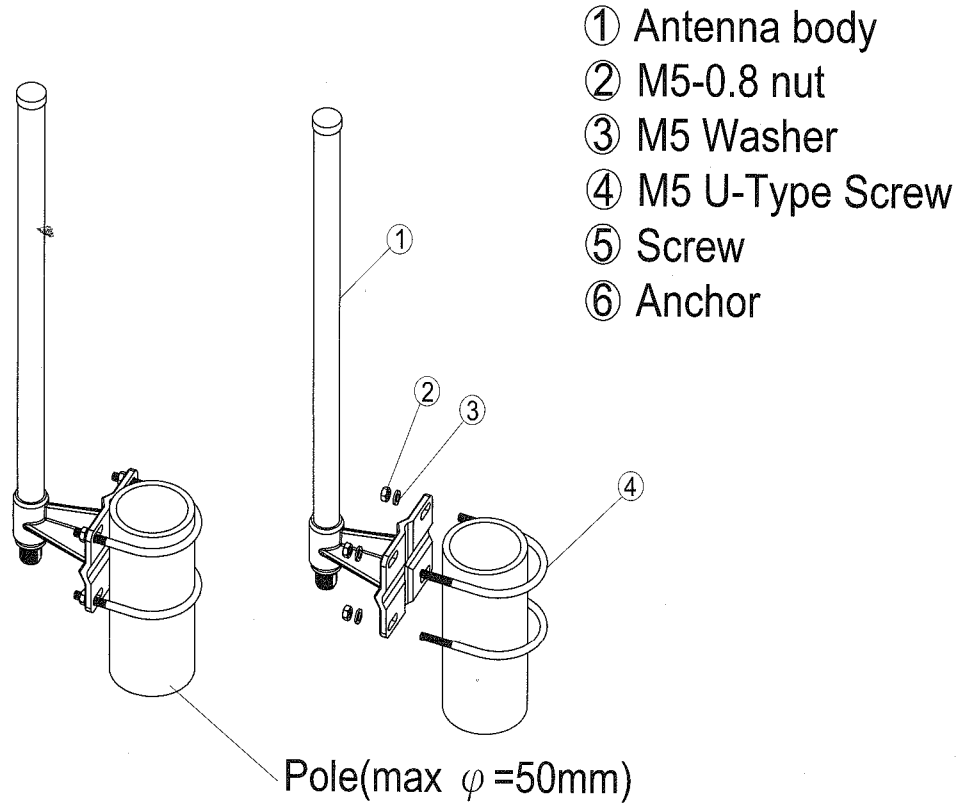


## Mounting Configuration

### Pole-Mounting



### Wall-Mounting

