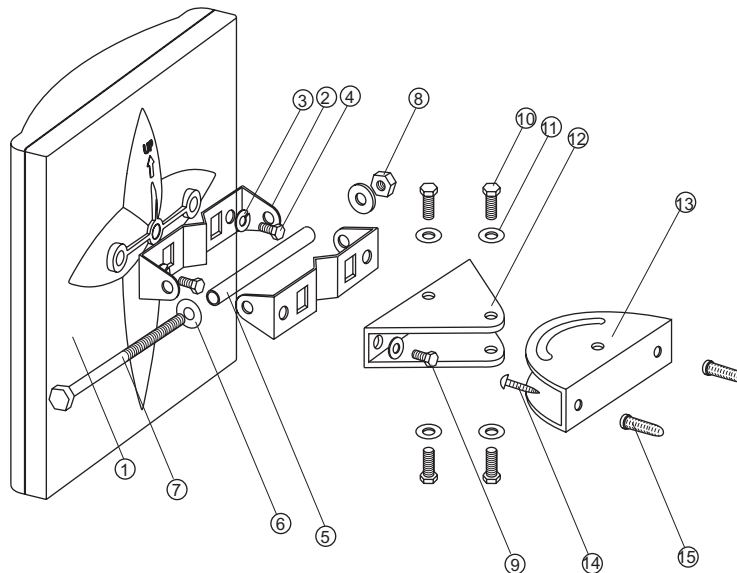


# Mounting instruction for antenna ANT-N-D-13/15-dual Order Nr. 600513

## Wall Mounting



## Pole Mounting

- ① Antenna Body
- ② M-type Stand -2 pcs
- ③ M8 Spring washer - 2 pcs
- ④ M8X12 screw - 2 pcs
- ⑤ Steel tube -1 pcs
- ⑥ M8 washer - 4 pcs
- ⑦ M8X110 screw - 1 pcs
- ⑧ M8 nut - 3 pcs
- ⑨ M8X16 screw - 2 pcs
- ⑩ M6X12 screw - 4 pcs
- ⑪ M6 washer - 4 pcs
- ⑫ Triangle stand
- ⑬ Main stand
- ⑭ Screw - 2 pcs
- ⑮ Plastic conical anchor - 2 pcs
- ⑯ Hose Clamp 2-1/2"

