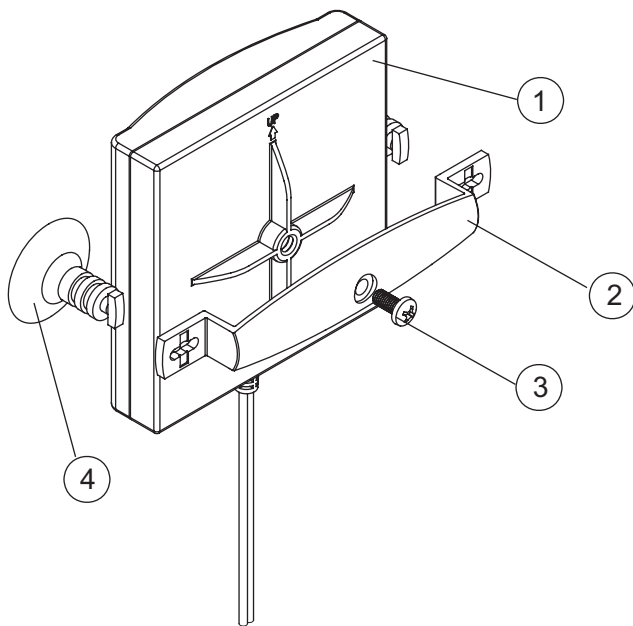


# Mounting instruction for antenna ANT-D-8/11-dual-0,2m Order Nr. 600512

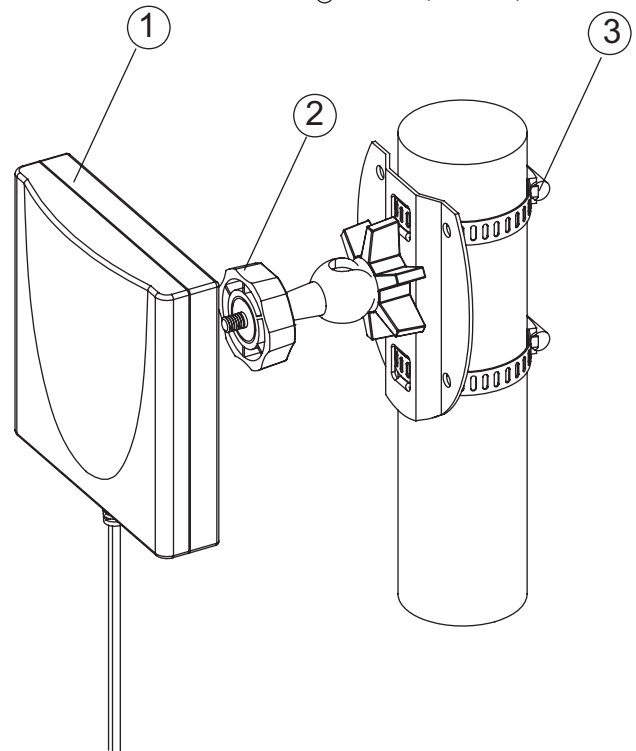
## Window Mount

- ① Antenna Body
- ② Window Mounting Adapter - 1pcs
- ③ M6\*12mm Screw - 1pcs
- ④ Cupule - 2pcs

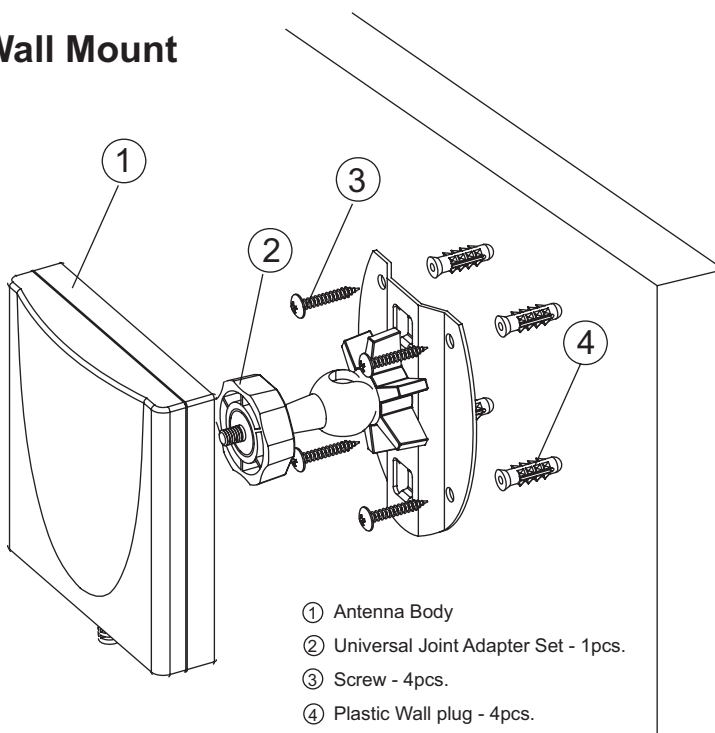


## Pole Mount

- ① Antenna Body
- ② Universal Joint Adapter Set - 1pcs.
- ③ Hose Clamp 2"-1/2" - 2pcs.



## Wall Mount



- ① Antenna Body
- ② Universal Joint Adapter Set - 1pcs.
- ③ Screw - 4pcs.
- ④ Plastic Wall plug - 4pcs.

### Note:

- a. Please mount the antenna on the pole of max 2" diameter.
- b. Do not place the antenna up-side-down and always use it at vertical polarization to allow draining of moisture.