



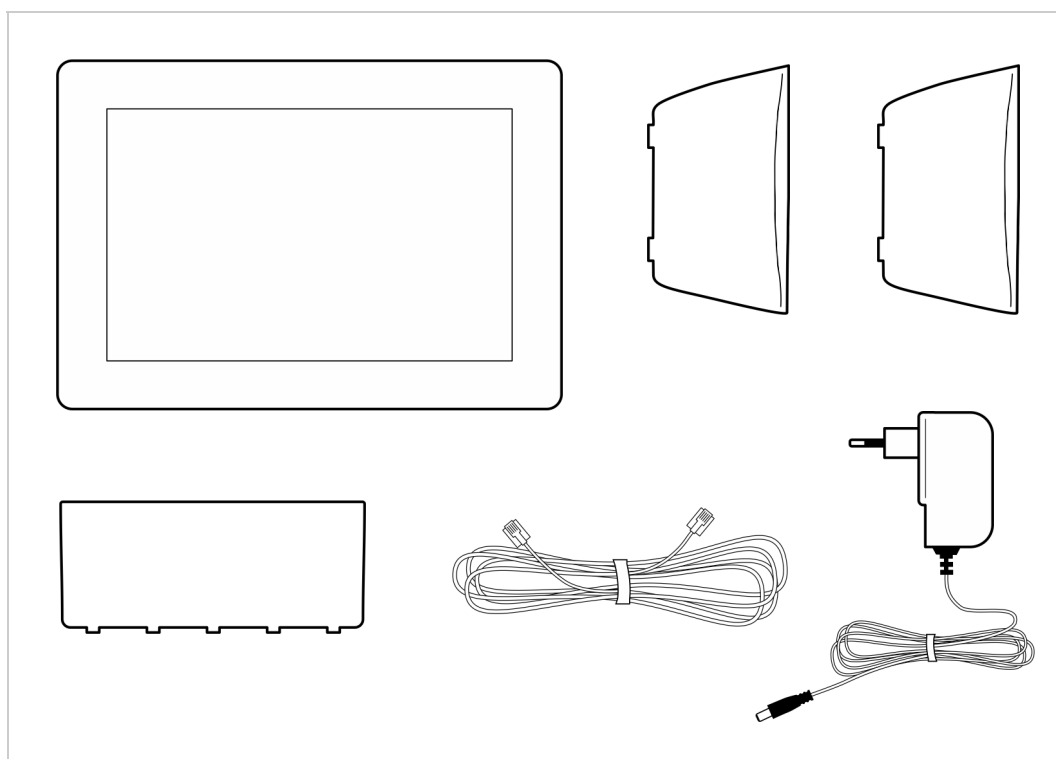
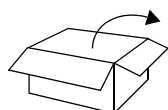
# elmeg IP680

## Installation

## elmeg IP680– Installation

**elmeg IP680– Installation**

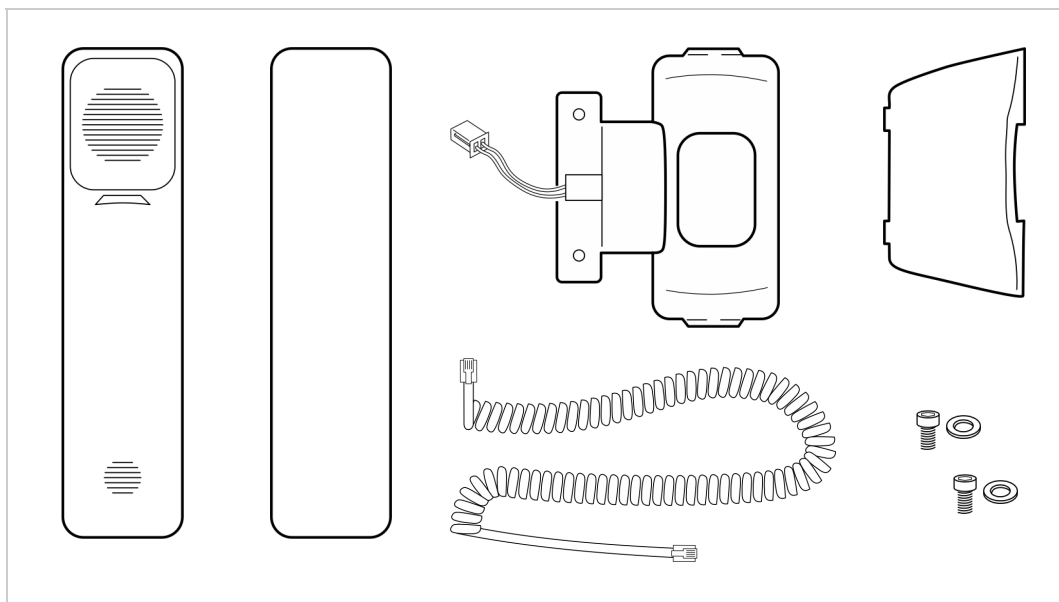
①	Unpacking the main device	→ 2
②	Unpacking the handset	→ 3
③	Mounting the handset	→ 4
④	Mounting the cradle	→ 5
⑤	Mounting the foot	→ 6
⑥	Connecting the cables	→ 7
⑦	Mounting the device to the foot	→ 8
⑧	Connecting the handset cable (corded)	→ 8
⑨	Connecting the device to the network and power supply	→ 8
	Wall Mounting	→ 9

**① Unpacking the main device**

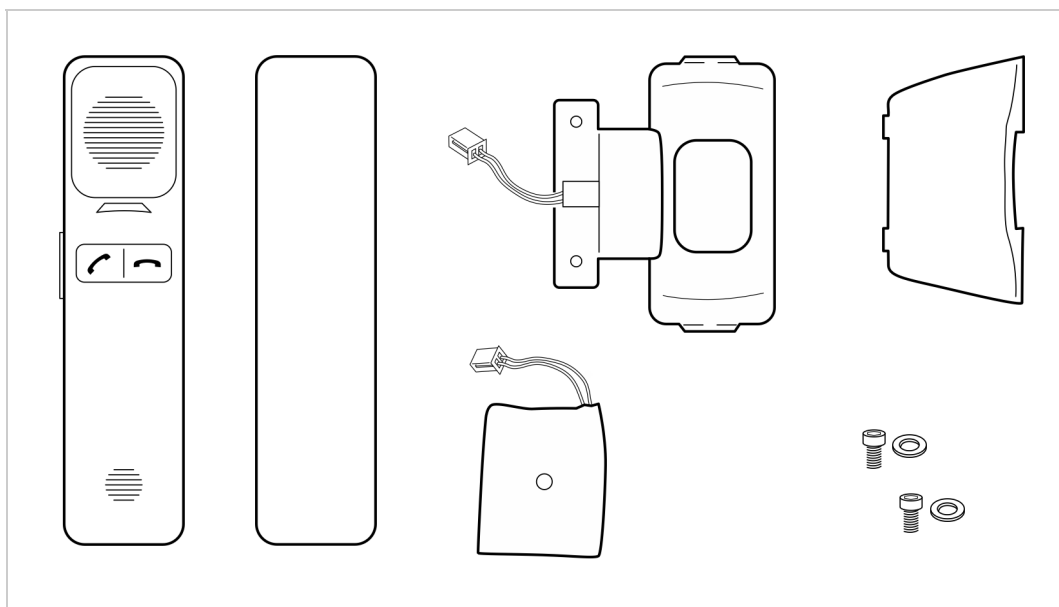
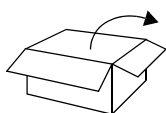
2

## Unpacking the handset

### Corded



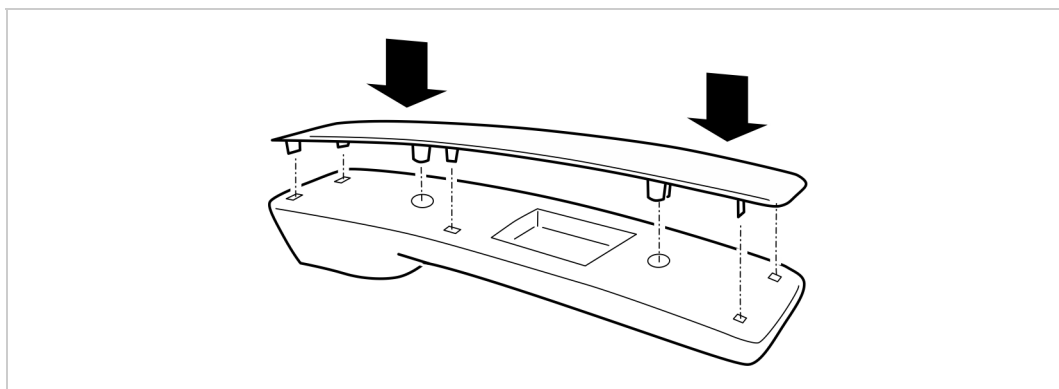
### DECT



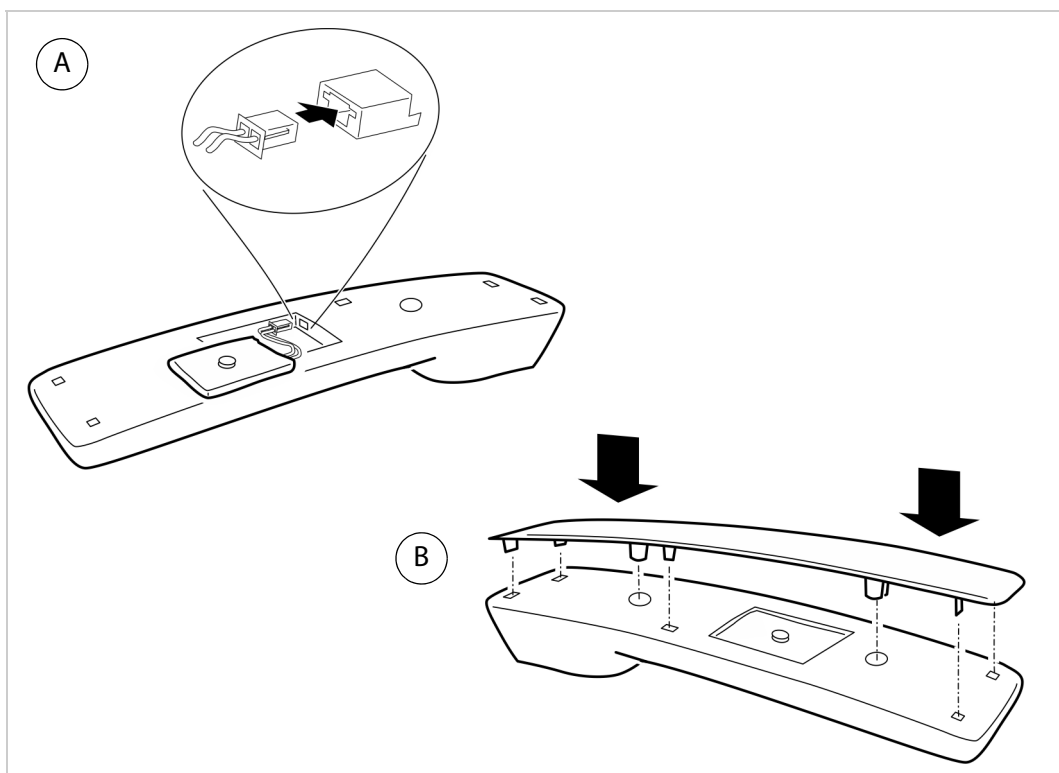
## elmeg IP680- Installation

### 3 Mounting the handset

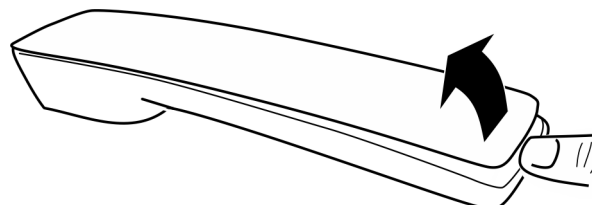
#### Corded



#### DECT

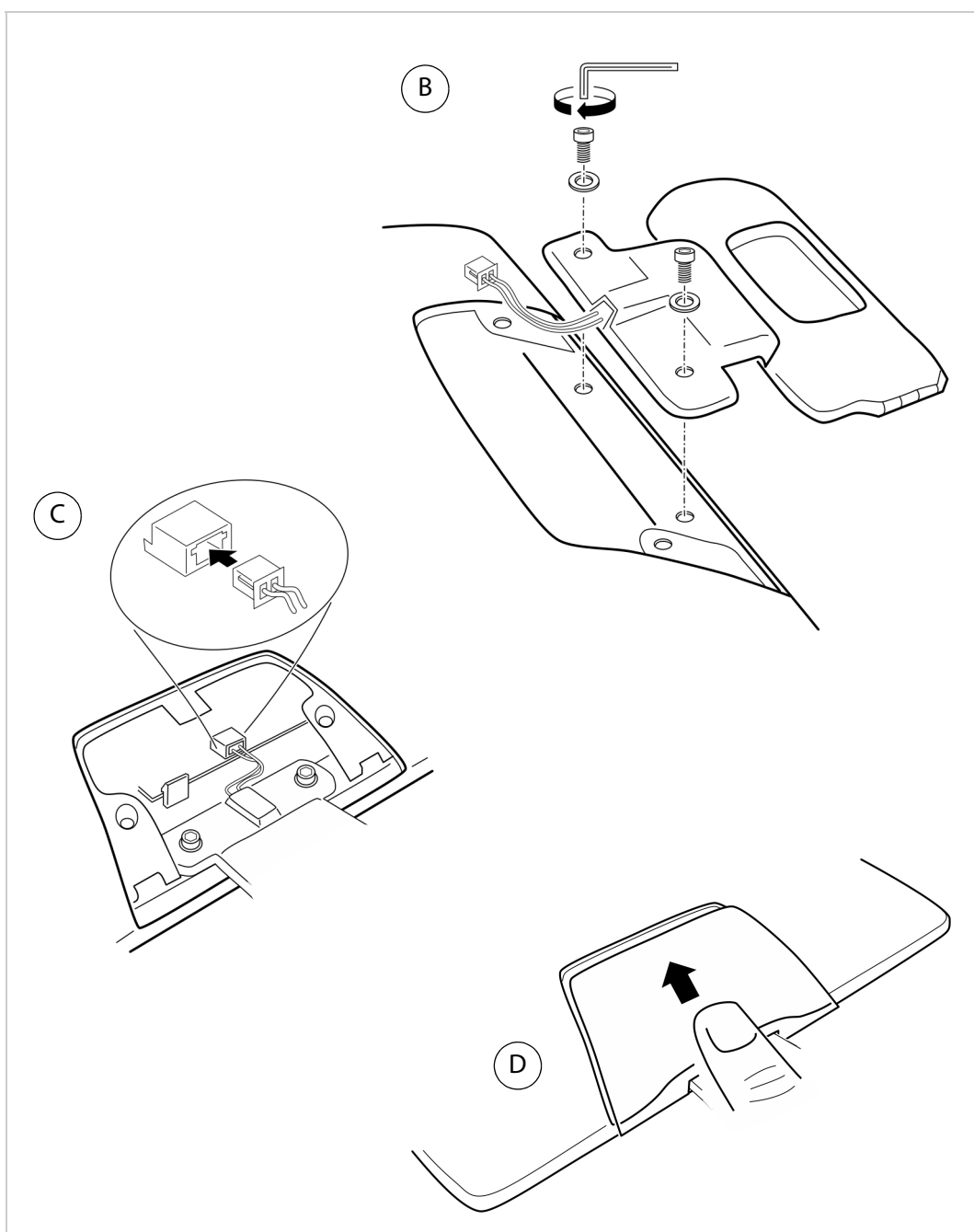
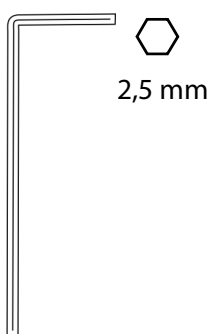
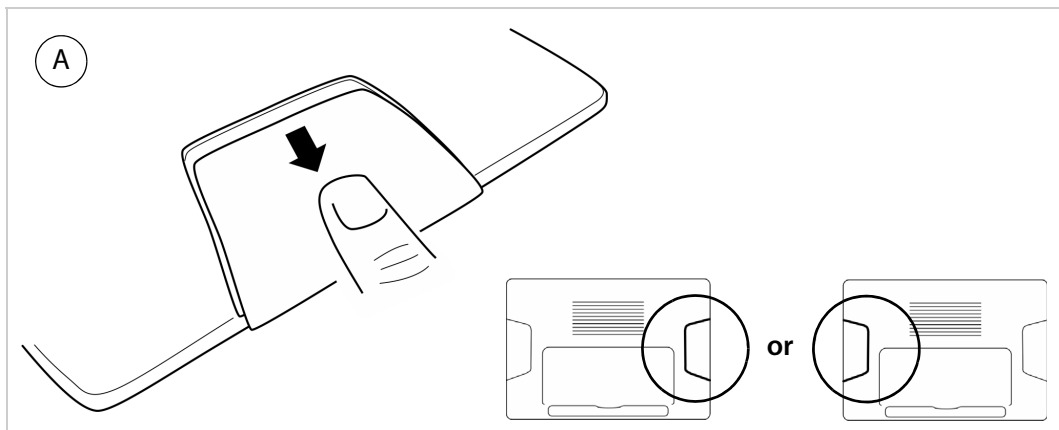


#### Reopening the cover



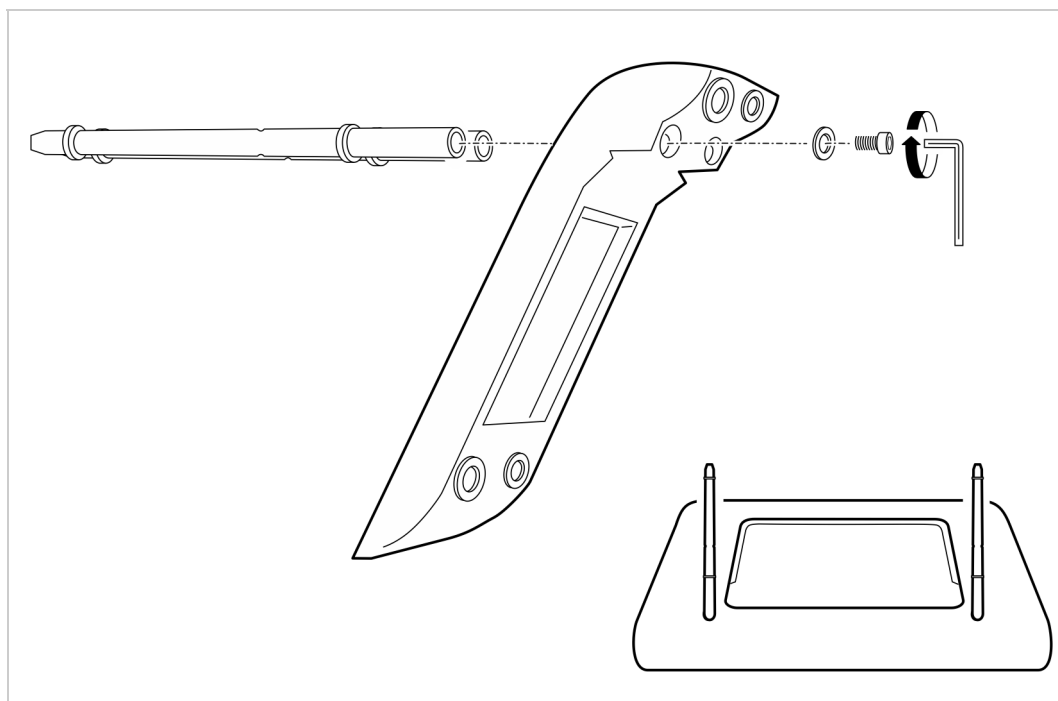
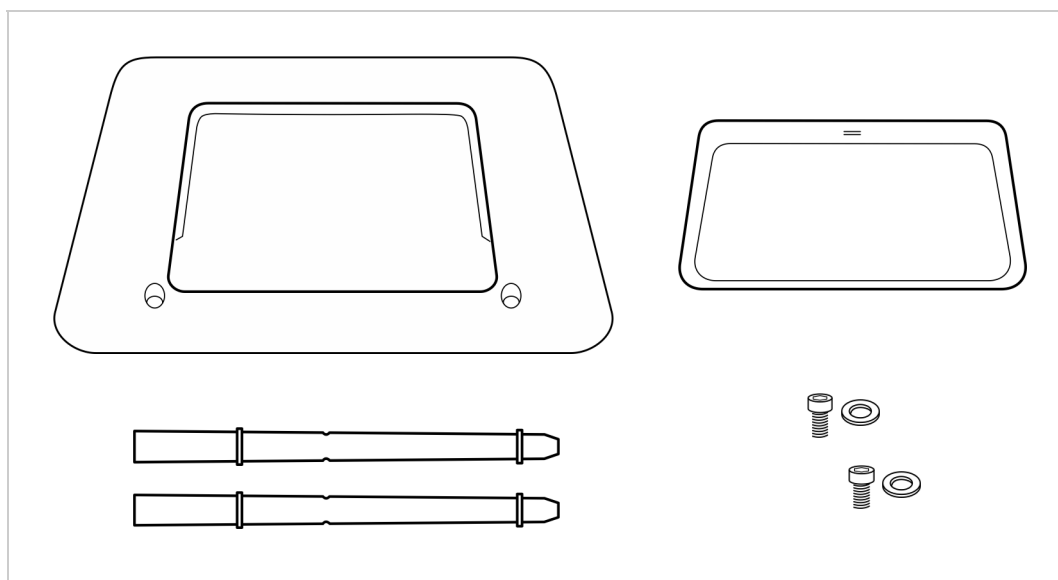
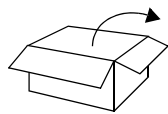
4

### Mounting the cradle



## elmeg IP680- Installation

### 5 Mounting the foot



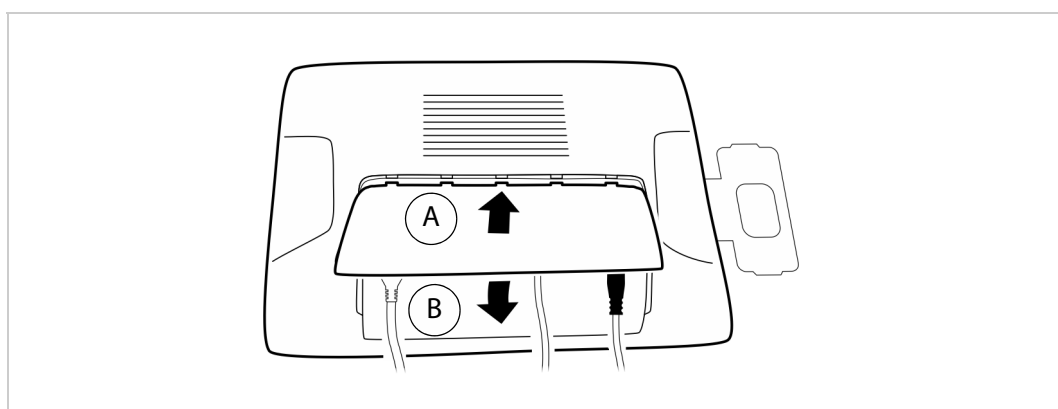
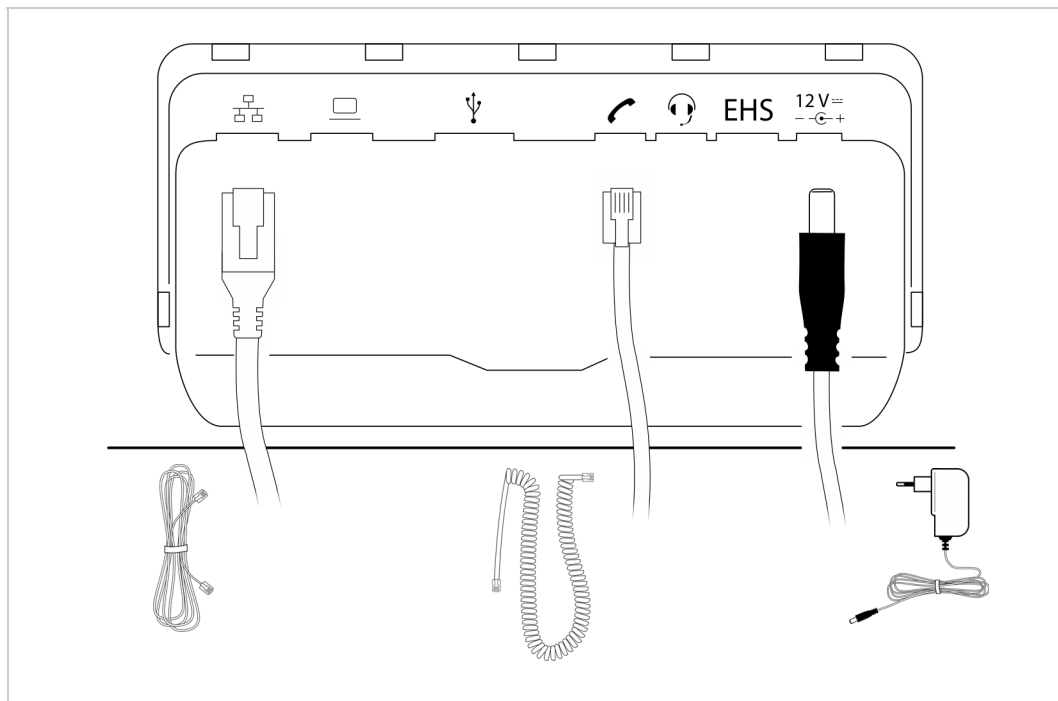
A31008-N4001-B160-1-X119

Issued by  
Gigaset Communications GmbH  
Frankenstr. 2a  
D-46395 Bocholt

© Gigaset Communications GmbH 2015  
Subject to availability.  
All rights reserved. Rights of modification reserved.  
[www.gigaset.com](http://www.gigaset.com)

6

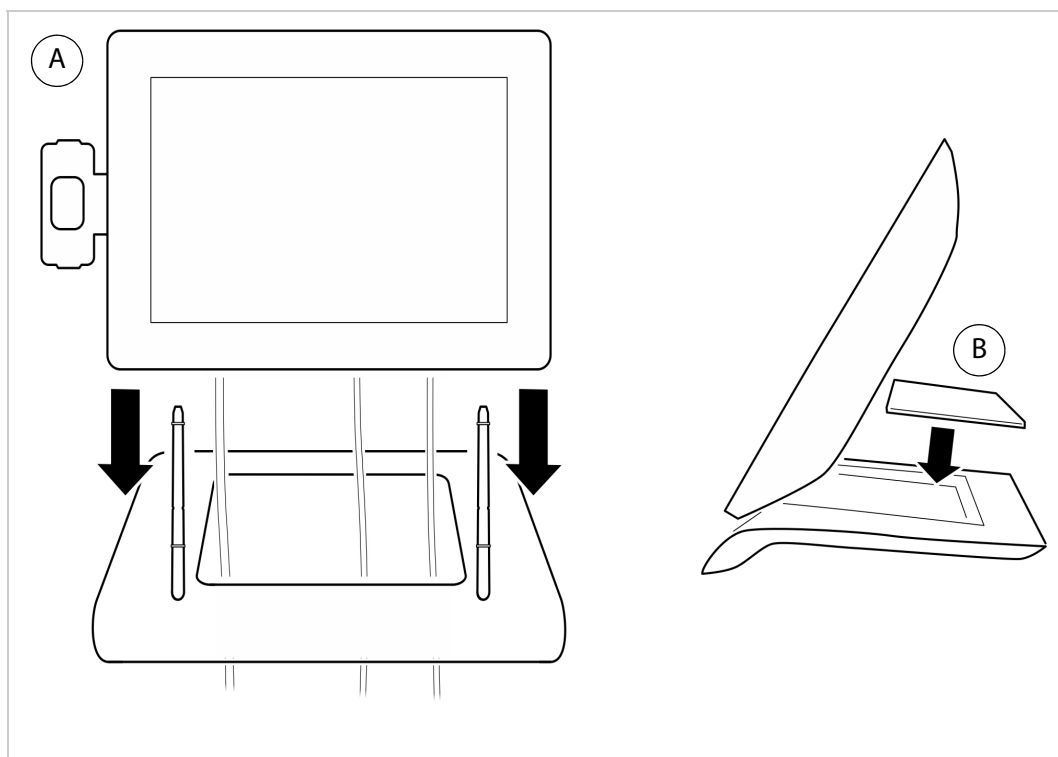
## Connecting the cables



## elmeg IP680- Installation

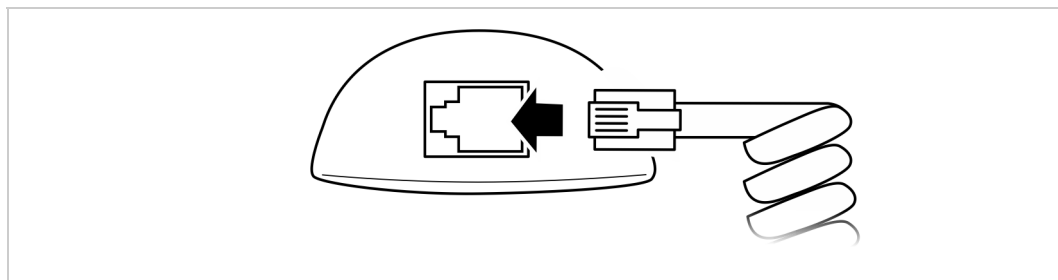
7

### Mounting the device to the foot



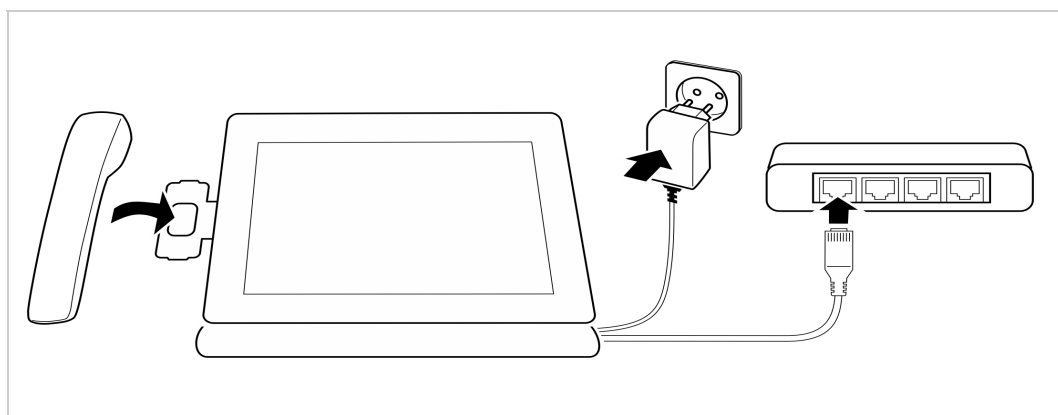
8

### Connecting the handset cable (corded)



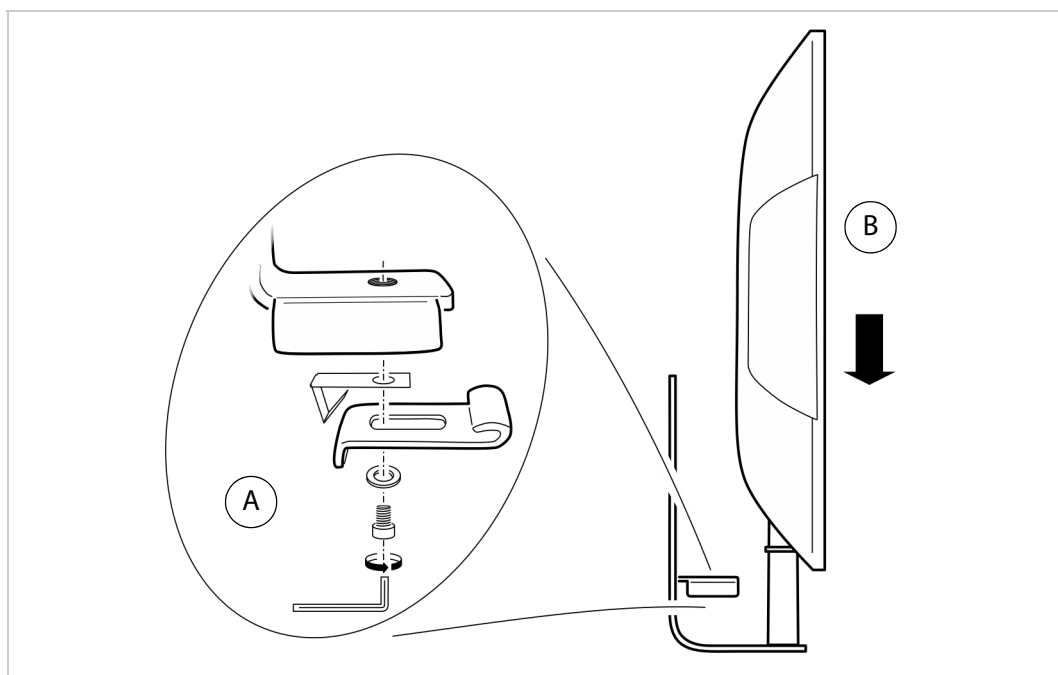
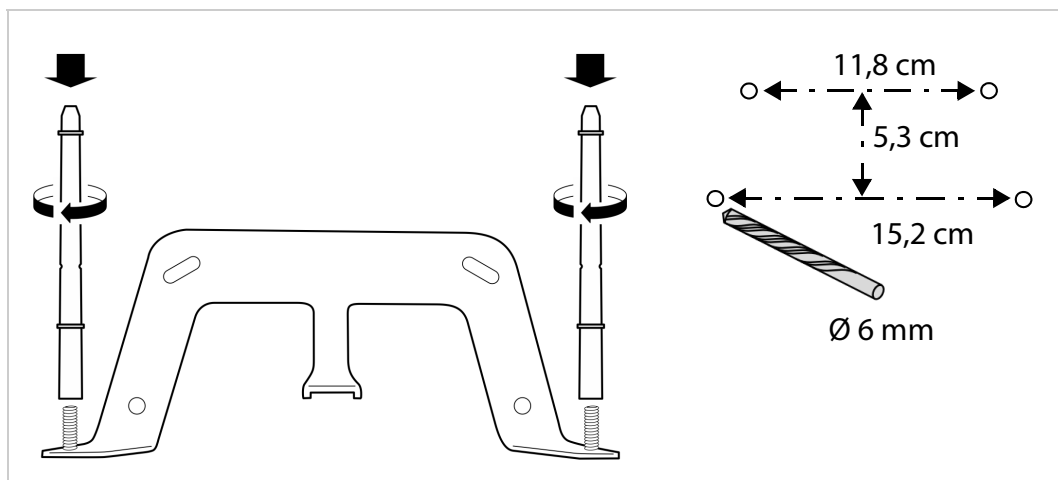
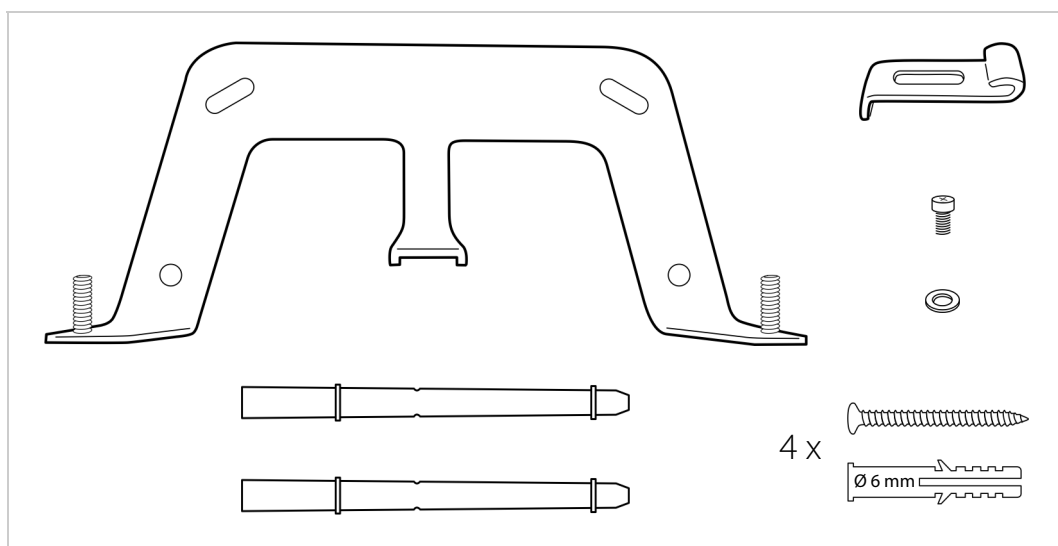
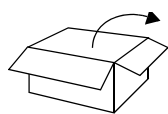
9

### Connecting the device to the network and power supply





# Wall Mounting



-

-

-

-