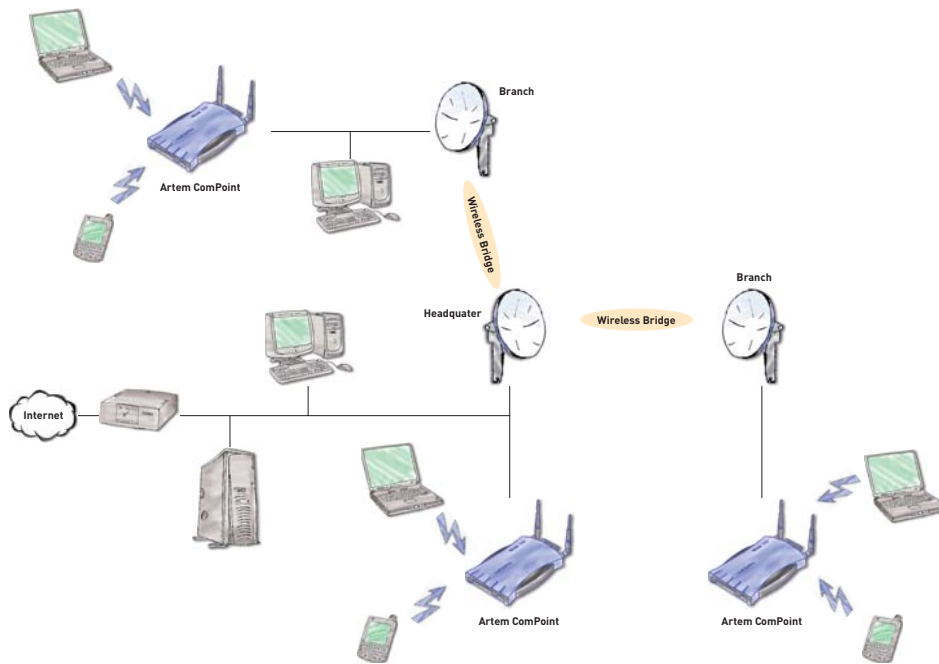


Information Brief



Brief: Artem Antenna Guide
Publishing Date: Jun. 24, 2004



Artem GmbH
Olgastr. 152
D-89073 Ulm, Germany
Phone: +49-731-1516 0
Fax: +49-731-1516 390
info@artem.de
www.artem.de

ar_ib_ANTGUIDE_03_e





Content

Content.....2

Antennas for ComPoints.....3

Antennas for ComCards.....8

Patch Antennas17

Antenna Kits - Patch Antennas.....21

Antenna Kits - Dish Antennas25

Antenna Accessories28

Legal Notices29

Contact29

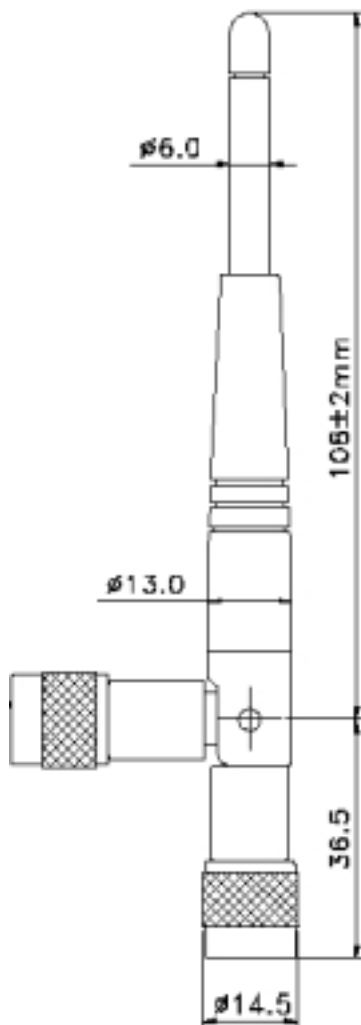
Antennas for ComPoints

Description:

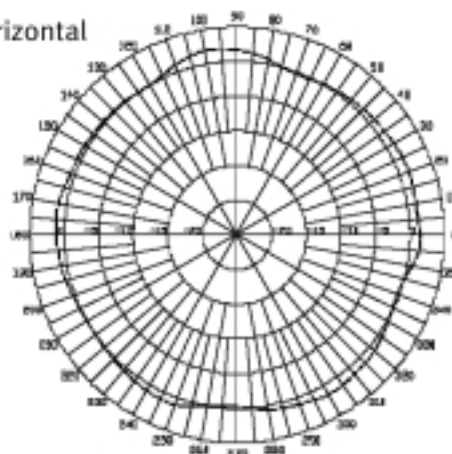
Every ComPoint is equipped with this antenna. It is swivel mounted and easy to turn in the desired position.

Features:

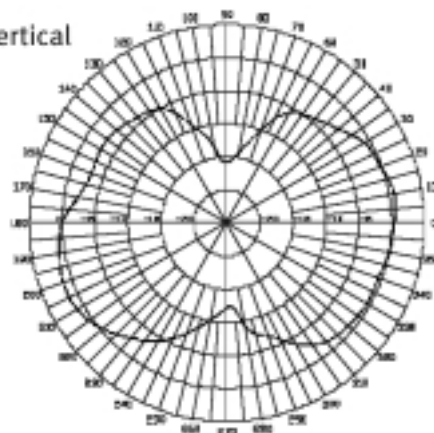
- ItemANT-TNC.S-O-022-01
- OrderNo600130
- RangeLine of sight approx. 300m, indoor approx. 50m
- PolarisationLinear vertical
- VSWRLess than 2.0
- Gain1.7dBi
- ConnectorTNC plug
- DimensionsApprox. 14.5cm by 1.5cm
- ColorBlack
- Operating Temperature-20°C to +65°C
- Storage Temperature-30°C to +75°C



horizontal



vertical





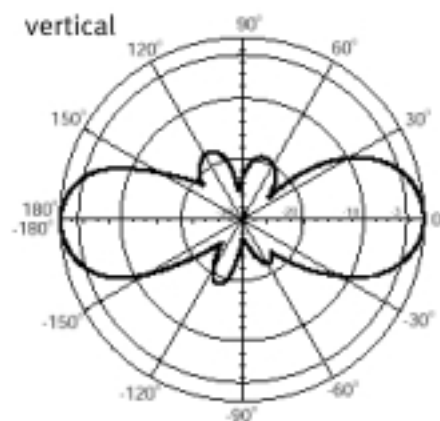
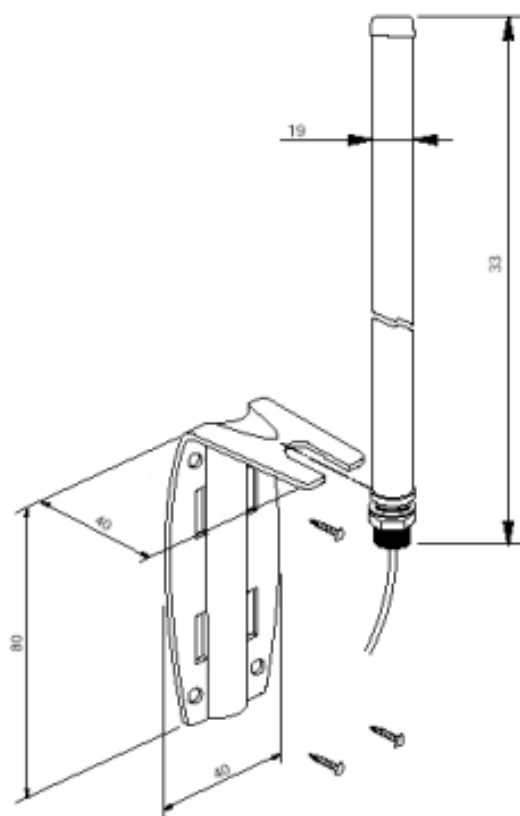
Antennas for ComPoints

Description:

This antenna is for indoor and outdoor use. It can be mounted on masts, walls or windows by using different mounting material.

Features:

Item	ANT-TNC.KS-O-050-06-0,8m
OrderNo600339
RangeLine of sight approx. 500m
PolarisationLinear vertical
VSWRLess than 2.0
Gain4.2dBi (cable loss included)
ConnectorTNC plug
Weight, DimensionsApprox. 800g, 33cm by 1.9cm
ColorWhite
Operating Temperature	-.40°C to +80°C
Storage Temperature	-.40°C to +80°C



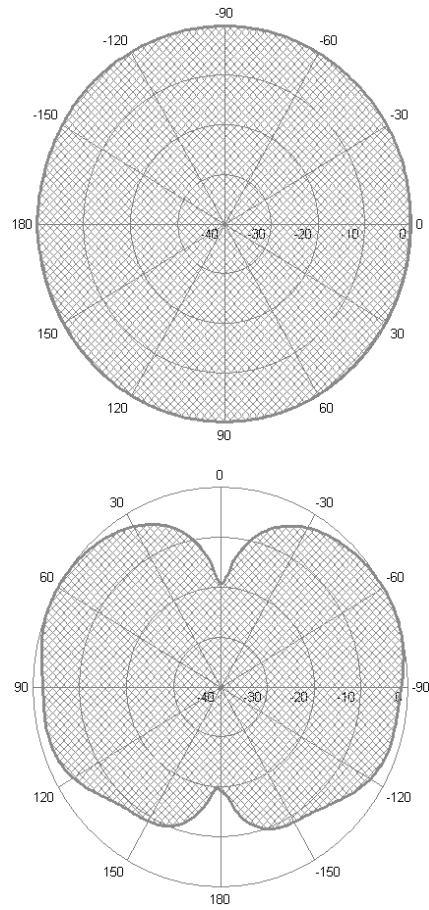
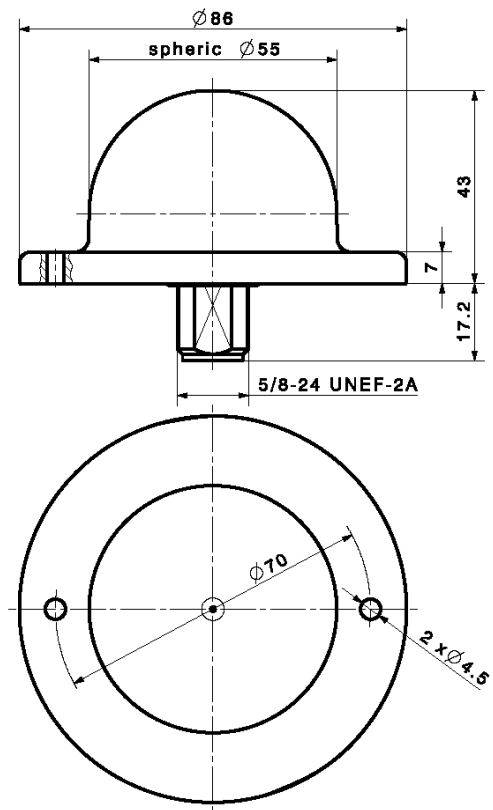
Antennas for ComPoints

Description:

Antenna with unobstrusive shape for indoor use. This antenna can be mounted at ceilings. Antenna includes an adapter to TNC female.

Features:

- ItemANT-TNC.B-O-040
- OrderNo600294
- RangeLine of sight approx. 400m, indoor approx. 50m
- PolarisationLinear vertical
- VSWR1.5
- Gain4dBi
- ConnectorTNC jack
- Weight, DimensionsApprox. 300g, 8.6cm by 4.3cm
- ColorLight grey, RAL 7035
- Operating Temperature-40°C to +80°C
- Storage Temperature-40°C to +80°C
- Wind Load10N at 160km/h (100mph)





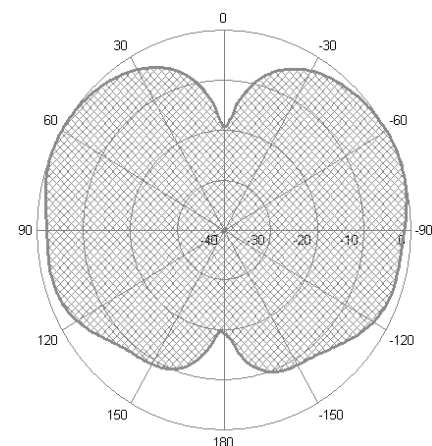
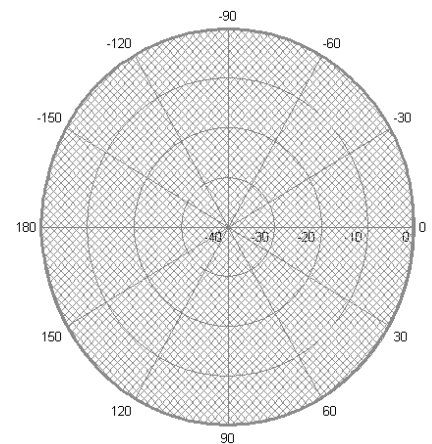
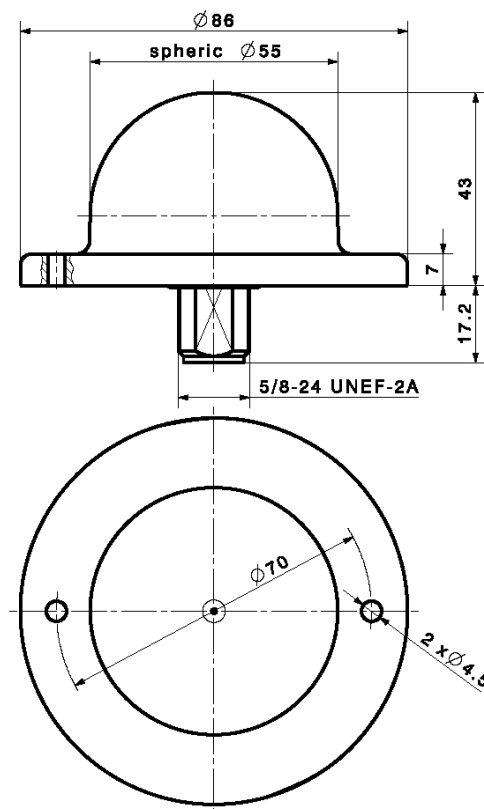
Antennas for ComPoints

Description:

Antenna with unobstrusive shape for indoor use. This antenna can be mounted at ceilings. Antenna includes an adapter to TNC plug.

Features:

Item	ANT-TNC.KS.O-040-0,8m
OrderNo600293
RangeLine of sight approx. 400m, indoor approx. 50m
PolarisationLinear vertical
VSWR1.5
Gain3.2dBi (cable loss included)
Cable Length0.8m
ConnectorTNC plug
Weight, DimensionsApprox. 300g, 8.6cm by 4.3cm
ColorLight grey, RAL 7035
Operating Temperature-40°C to +80°C
Storage Temperature-40°C to +80°C
Wind Load10N at 160km/h (100mph)



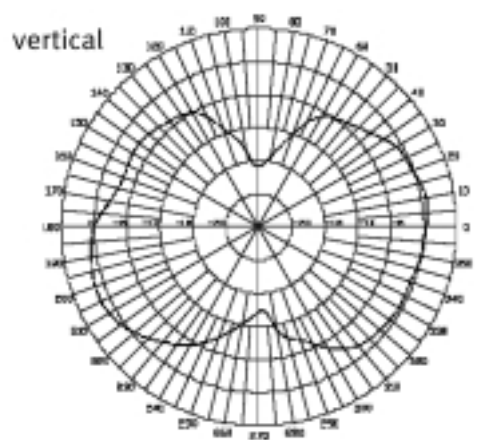
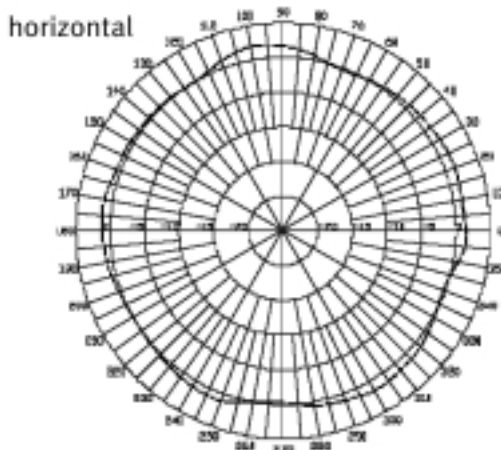
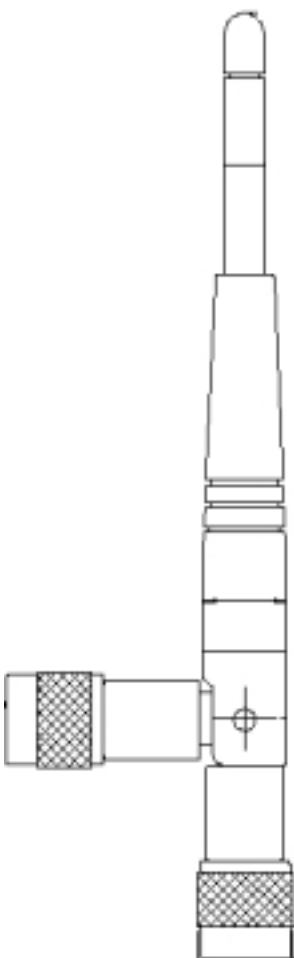
Antennas for ComPoints

Description:

Dipole standard antenna. Suitable for ComPoint Workgroup and PCI Cards. It is swivel mounted and easy to turn in the desired position.

Features:

- ItemANT-RSMA.S-O-017
- OrderNo600399
- RangeLine of sight approx. 300m, indoor approx. 50m
- PolarisationLinear vertical
- VSWRLess than 2.0
- Gain1.7dBi
- ConnectorRSMA plug
- ColorBlack
- Operating Temperature-20°C to +65°C
- Storage Temperature-30°C to +75°C





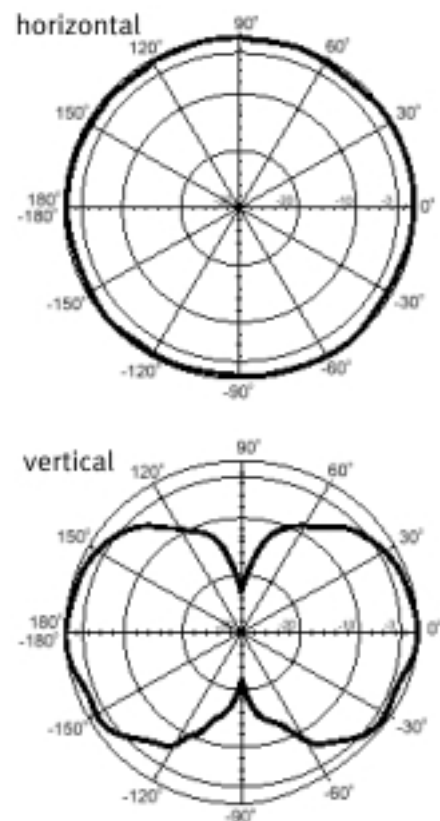
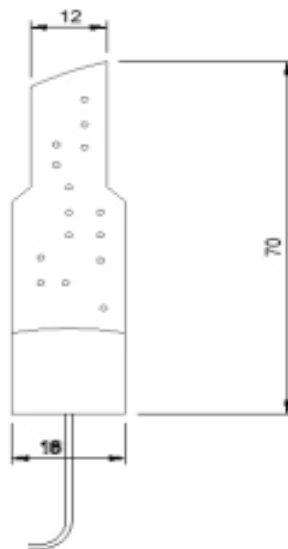
Antennas for ComCards

Description:

The radio coverage of notebook users can be improved with this antenna e.g. if the integrated antenna is positioned in the opposite direction of the Access Point, or if other obstacles reduce the link quality. The antenna can be mounted detachable at the notebook housing and is connected to the ComCard.

Features:

Item	ANT-RSMA.KS-O-022-03-0,4m
OrderNo	.600401
Range	.Line of sight approx. 300m
Polarisation	.Linear vertical
VSWR	.Less than 2.0
Gain	.Approx. 2dBi (cable loss included)
Cable Length	.40cm
Connector	.RSMA plug
Color	.Black
Operating Temperature-10°C to +55°C



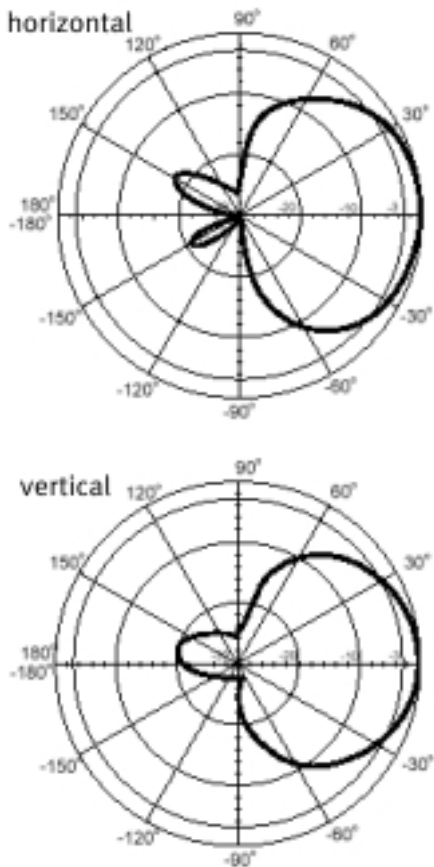
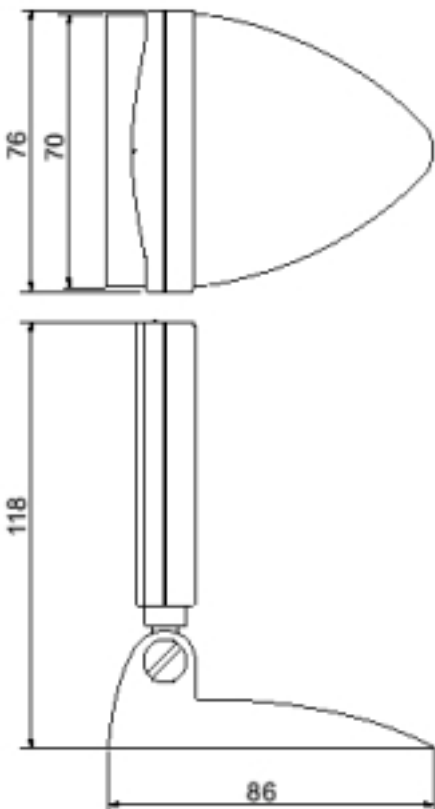
Antennas for ComCards

Description:

With this antenna the radio link quality of adverse positioned desktop PCs can be improved. The antenna can be placed on the Desktop and is connected with it's cable to the ComCard. To improve the placement towards the AccessPoint the antenna can be adjusted.

Features:

- ItemANT-RSMA.KS-D-060-03-1m
- OrderNo600402
- RangeLine of sight approx. 300m
- PolarisationLinear vertical
- Elevation, Azimuth80°
- VSWR1.5
- Gain4dBi (cable loss included)
- Cable Length1 m
- ConnectorRSMA plug
- ColorGrey / transparent
- Operating Temperature-10°C to +55°C





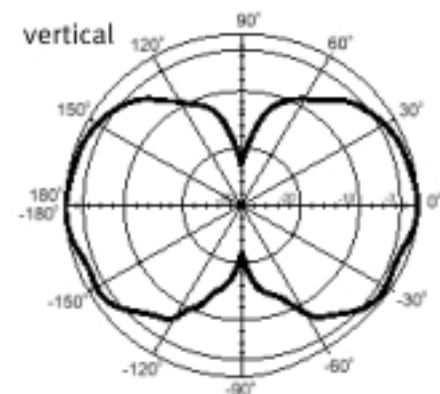
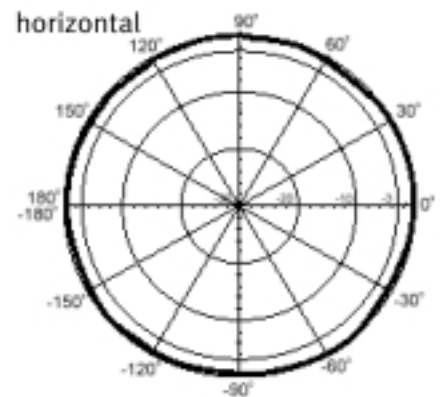
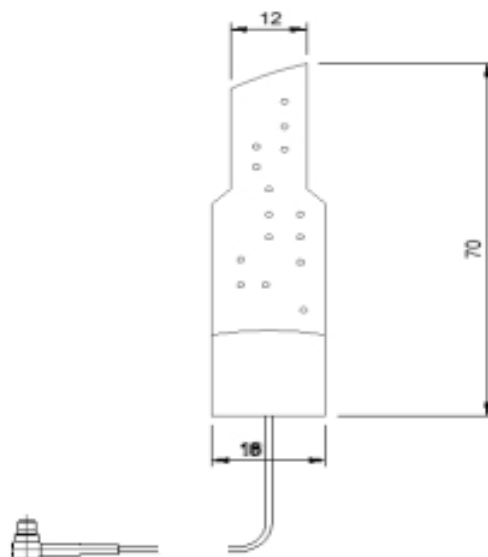
Antennas for ComCards

Description:

The radio coverage of notebook users can be improved with this antenna e.g. if the integrated antenna is positioned in the opposite direction of the Access Point, or if other obstacles reduce the link quality. The antenna can be mounted detachable at the notebook housing and is connected to the ComCard.

Features:

Item	ANT-CC.KS-O-022-02-0,4m
OrderNo600326
RangeLine of sight approx. 300m
PolarisationLinear vertical
VSWRLess than 2.0
GainApprox. 2dBi (cable loss included)
Cable Length40cm
ConnectorComCard plug, Lucent Connector
ColorBlack
Operating Temperature-10°C to +55°C



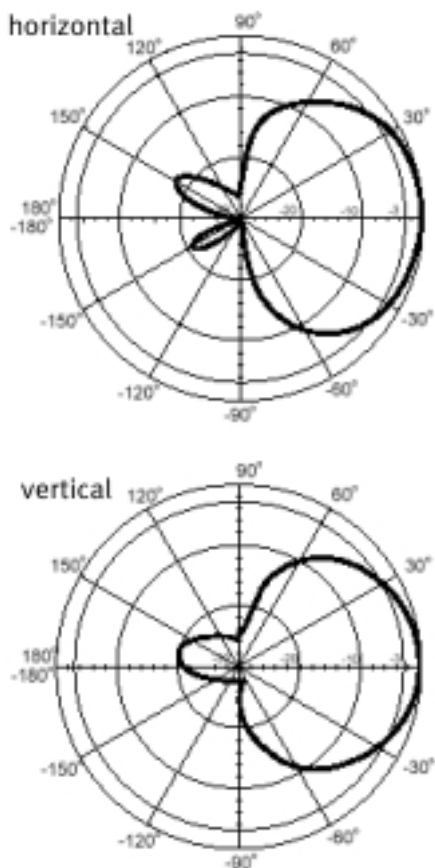
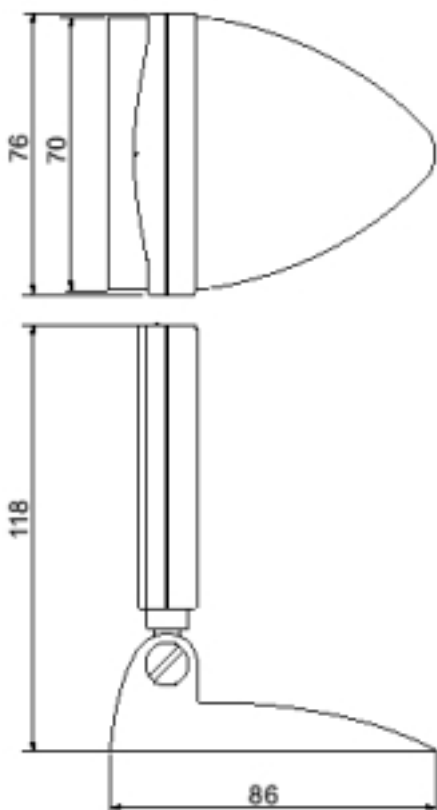
Antennas for ComCards

Description:

With this antenna the radio link quality of adverse positioned desktop PCs can be improved. The antenna can be placed on the Desktop and is connected with it's cable to the ComCard. To improve the placement towards the AccessPoint the antenna can be adjusted.

Features:

- ItemANT-CC.KS-D-060-02-1m
- OrderNo600354
- RangeLine of sight approx. 300m
- PolarisationLinear vertical
- Elevation, Azimuth80°
- VSWR1.5
- Gain4dBi (cable loss included)
- Cable Length1m
- ConnectorComCard plug, Lucent Connector
- ColorGrey / transparent
- Operating Temperature-10°C to +55°C





Antennas for ComCards

Description:

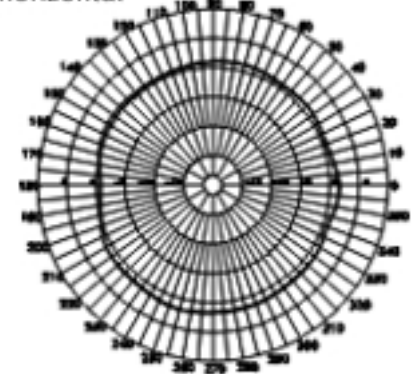
Antenna for use on vehicles. Important: antenna must be mounted on metal (e.g. vehicle roof). For use at ComCard an adapter (e.g. Item 700009) is required.

Features:

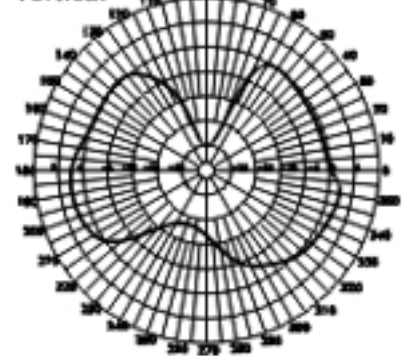
Item	ANT-TNC.KS-O-052-03-0,8m
OrderNo600213
Range	Line of sight approx. 500m
Polarisation	Linear vertical
VSWR	Less than 1.5
Gain	4.4dBi (cable loss included)
Cable Length	Approx. 0.8m
Connector	TNC plug
Color	Black
Mounting Hole	Diameter 18mm



horizontal



vertical



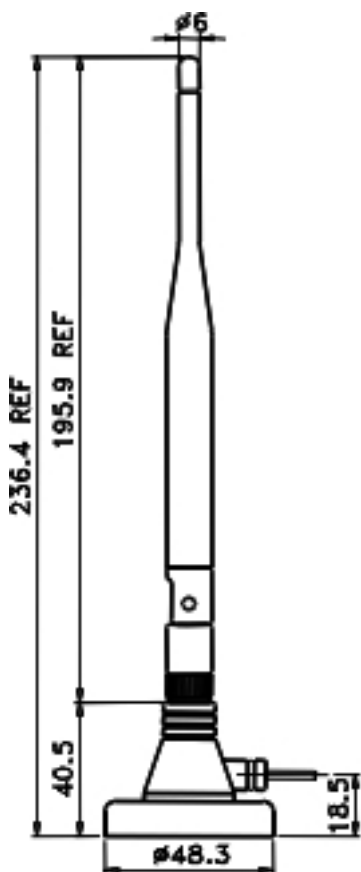
Antennas for ComCards

Description:

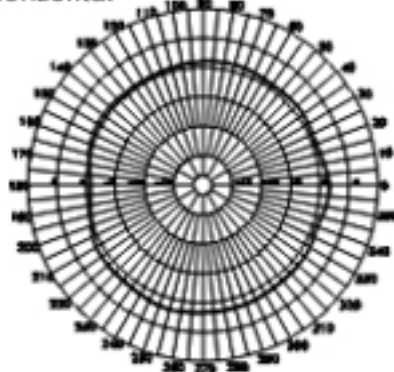
Antenna for use on vehicles. With it's magnetic mount this antenna is quickly usably on metal roofs, without drilling holes.

Features:

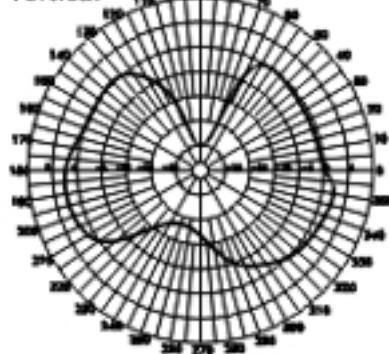
- ItemANT-CC.KS-O-050-04-2m
- OrderNo600320
- RangeLine of sight approx. 300m
- PolarisationLinear vertical
- VSWRLess than 2.0
- GainApprox. 2dBi (cable loss included)
- Cable Length2m
- MeasurementsApprox. 48mm by 236mm
- ConnectorComCard plug, Lucent Connector
- ColorBlack
- Operating Temperature-20°C to +65°C
- Storage Temperature-30°C to +75°C



horizontal



vertical





Antennas for ComCards

Description:

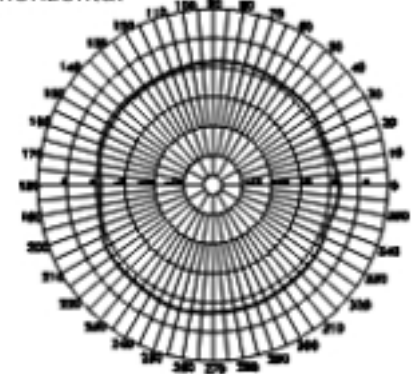
Dipole vehicle antenna. Requires an adapter (700009 or 600269) to connect with ComCards

Features:

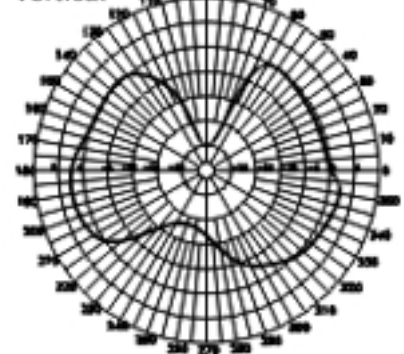
Item	ANT-TNC.KB-O-022-03-0,2m
OrderNo600365
Range	Line of sight approx. 300m
Polarisation	Linear vertical
VSWR	Less than 2.0
Gain	Approx. 2dBi (cable loss included)
Cable Length0.2m
Measurements	Approx. 48mm by 236mm
Connector	TNC Jack
Color	Black
Operating Temperature	-20°C to +65°C
Storage Temperature	-30°C to +75°C



horizontal



vertical



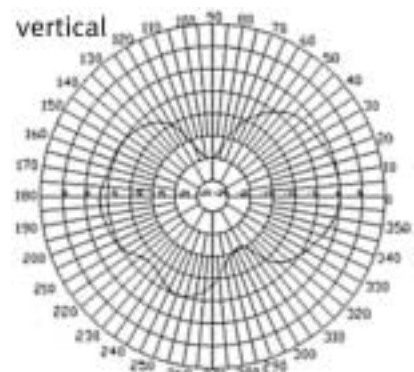
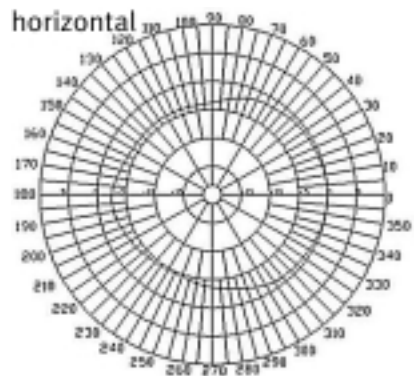
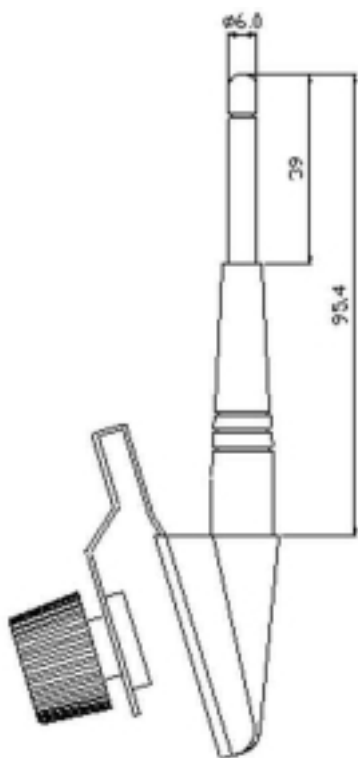
Antennas for ComCards

Description:

Window mount antenna for ComCard.

Features:

- ItemANT-CC.KS-O-030-01-2m
- OrderNo600312
- RangeLine of sight approx. 200m
- PolarisationVertical
- VSWRLess than 2.0
- Gain0dBi (cable loss included)
- Cable LengthApprox. 2m
- ConnectorComCard plug, Lucent Connector
- ColorBlack





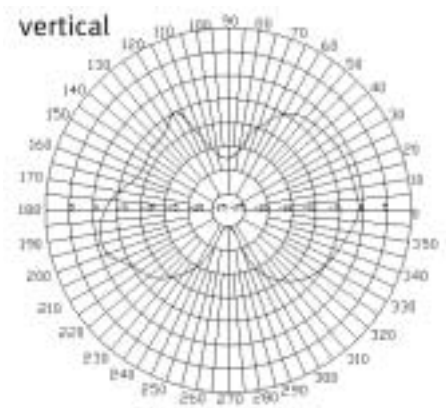
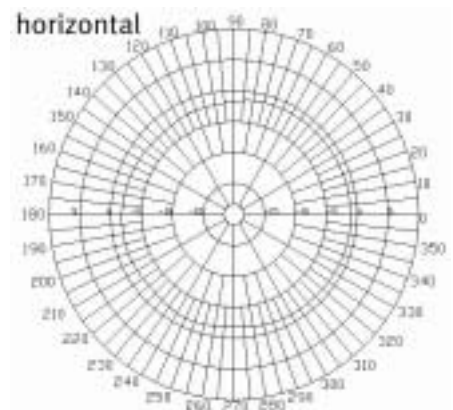
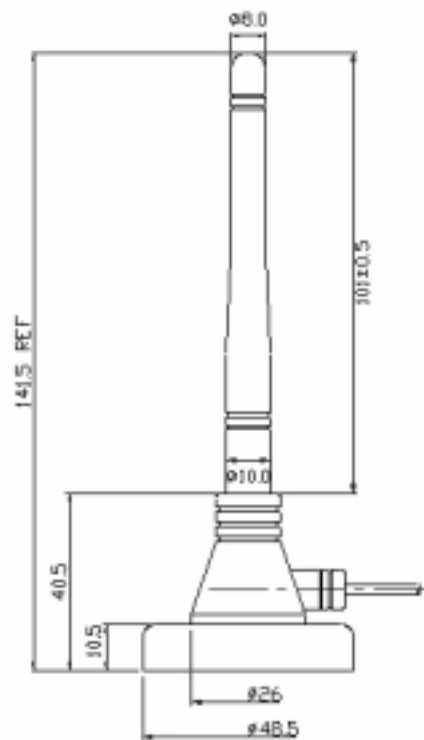
Antennas for ComCards

Description:

Antenna for use on vehicles. With it's magnetic mount this antenna is quickly usably on metal roofs, without drilling holes.

Features:

Item	ANT-CC.KS-O-020-01-2m
OrderNo600313
RangeLine of sight approx. 200m
PolarisationLinear vertical
VSWRLess than 2.0
Gain-1dBi (cable loss included)
Cable Length2m
MeasurementsApprox. 48mm by 142mm
ConnectorComCard plug, Lucent Connector
ColorBlack
Operating Temperature-20°C to +65°C
Storage Temperature-30°C to +75°C



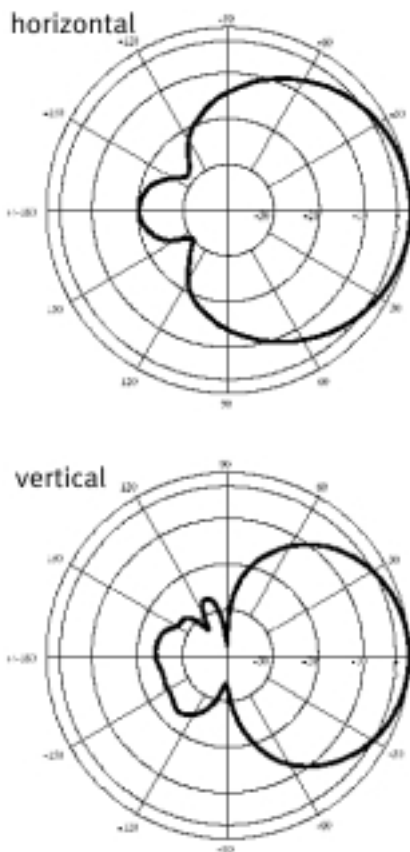
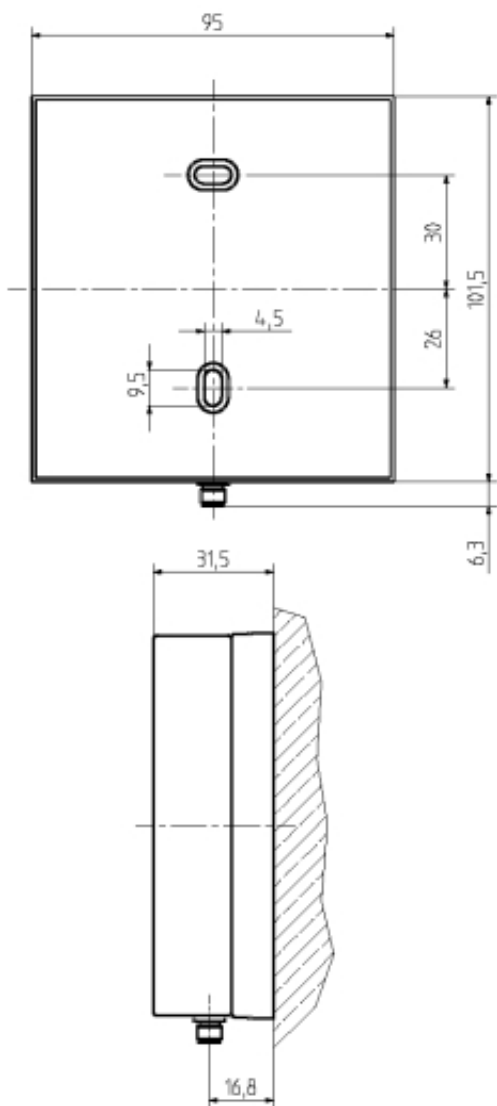
Patch Antennas

Description:

Patch antenna for outdoor use, especially for wireless bridges. A swivel mounting kit for this antenna can be ordered separately.

Features:

- ItemANT-TNC.B-D-085-03
- OrderNo600250
- RangeLine of sight approx. 700m, indoor approx. 50m
- PolarisationLinear vertical
- Elevation, Azimuth60°, 75°
- VSWR1.5
- Gain8.5dBi (with appropriate cable 5dBi)
- ConnectorTNC jack
- Weight, MeasurementsApprox. 100g, 101mm by 95mm by 32mm
- ColorLight grey, RAL 7035
- Operating Temperature-40°C to +80°C
- Storage Temperature-40°C to +80°C
- Mounting KitItem ACC-MNT-KIT / OrderNo 600298
- Wind load15N at 160km/h





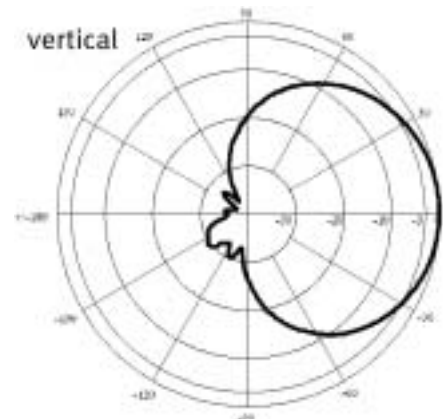
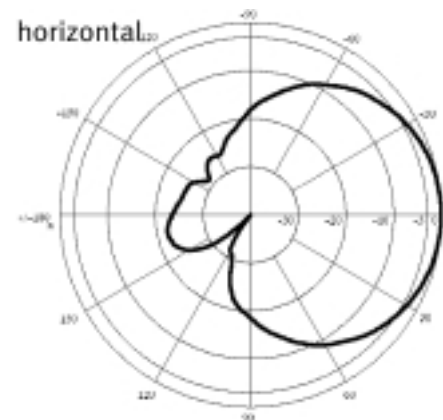
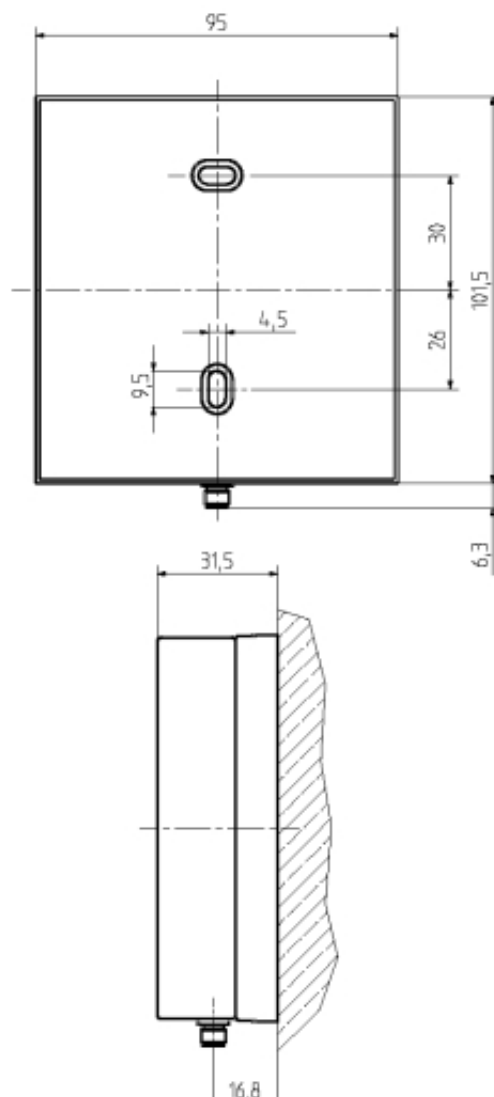
Patch Antennas

Description:

Patch antenna for in- and outdoor use, especially for wireless LANs. Circular polarized antennas are used in areas with many reflections like warehouses or production halls. A swivel mounting kit for this antenna can be ordered separately.

Features:

Item	ANT-TNC.B-D-085-01
OrderNo	600174
Range	Line of sight approx. 700m, indoor approx. 50m
Polarisation	Right handed circular
Elevation, Azimuth	.65°, 70°
VSWR	1.5
Gain	8.5dBi (with appropriate cable 5dBi)
Connector	TNC jack
Weight, Measurements	Approx. 100g, 101mm by 95mm by 32mm
Color	Light grey, RAL 7035
Operating Temperature	-40°C to +80°C
Storage Temperature	-40°C to +80°C
Mounting Kit	Item ACC-MNT-KIT / OrderNo 600298
Wind load	15N at 160km/h



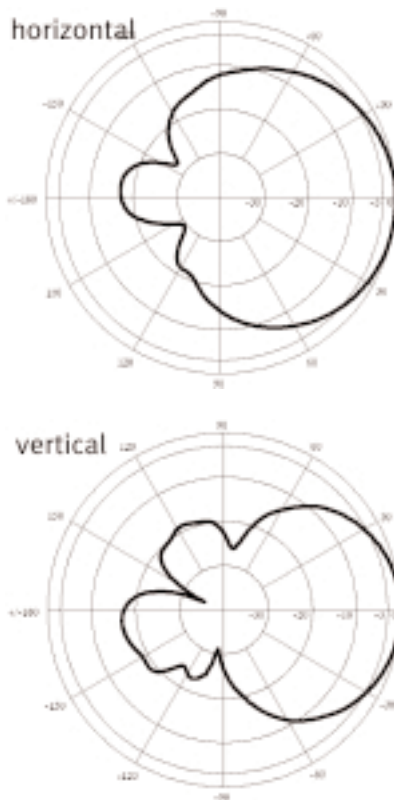
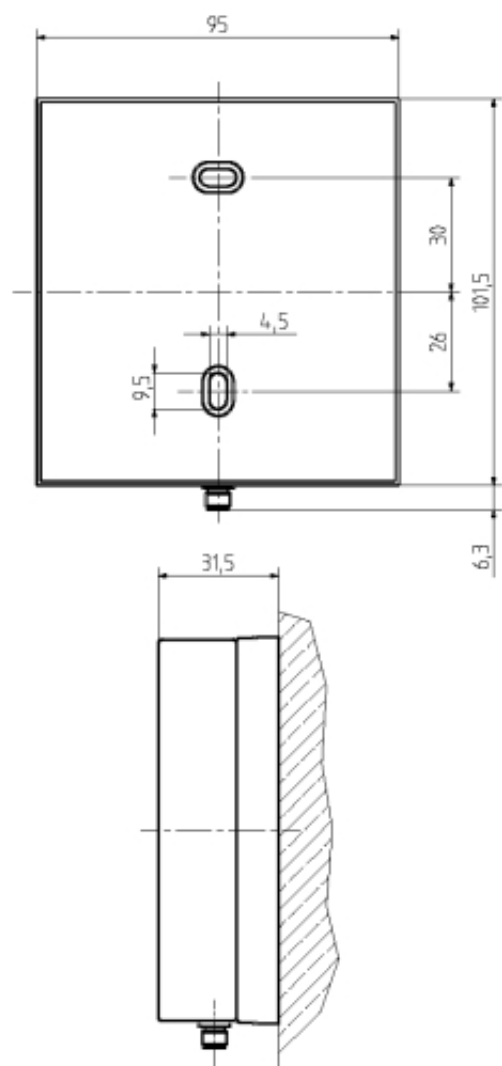
Patch Antennas

Description:

Patch antenna for outdoor use, especially for wireless bridges. A swivel mounting kit for this antenna can be ordered separately.

Features:

- ItemANT-2TNC.B-D-085-04
- OrderNo600275
- RangeLine of sight approx. 700m, indoor approx. 50m
- PolarisationLinear dual slant, +/- 45°
- Elevation, Azimuth70°, 80°
- VSWR1.5
- Gain8.5dBi (with appropriate cable 5dBi)
- ConnectorTNC jack
- Weight, MeasurementsApprox. 100g, 101mm by 95mm by 32mm
- ColorLight grey, RAL 7035
- Operating Temperature-40°C to +80°C
- Storage Temperature-40°C to +80°C
- Mounting KitItem ACC-MNT-KIT / OrderNo 600298
- Wind load15N at 160km/h





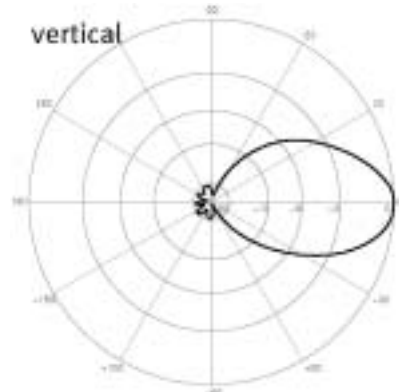
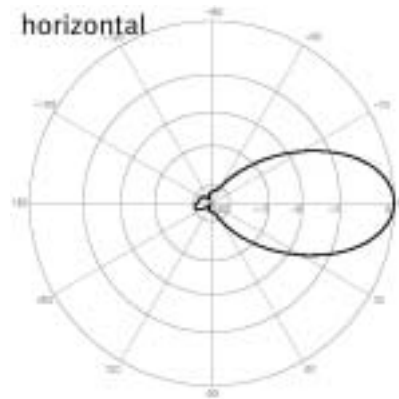
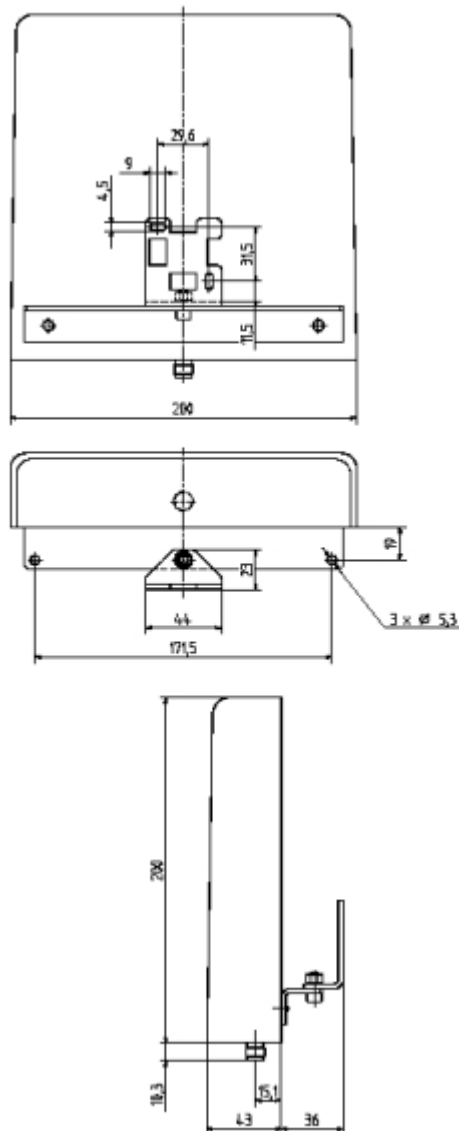
Patch Antennas

Description:

Patch antenna for outdoor use, especially for wireless bridges. Includes wall mount plate and clip for mast mount.

Features:

Item	ANT-TNC.B-D-120
OrderNo	600162
Range	Line of sight approx. 700m
Polarisation	Linear vertical
Elevation, Azimuth	.50°, 45°
VSWR	1.5
Gain	11.5dBi (with appropriate cable 4.5dBi)
Connector	TNC jack
Weight, Measurements	Approx. 500g, 200mm by 200mm by 42mm
Color	Light grey, RAL 7035
Operating Temperature	-40°C to +80°C
Storage Temperature	-40°C to +80°C
Wind load	.57N at 160km/h



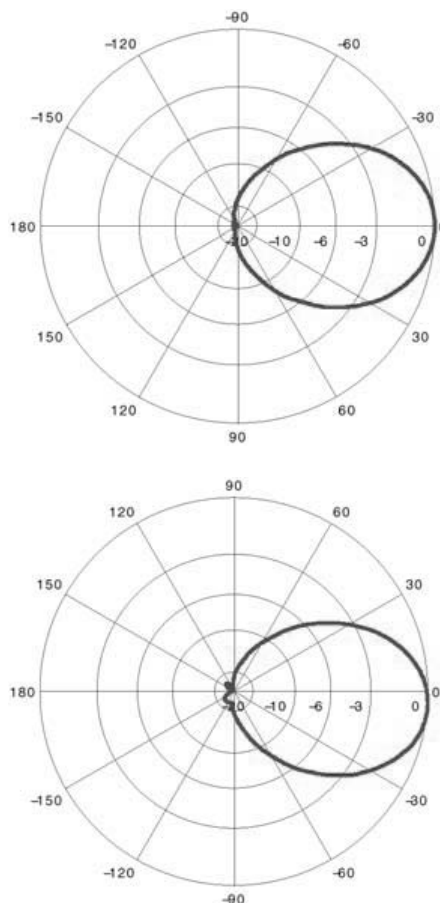
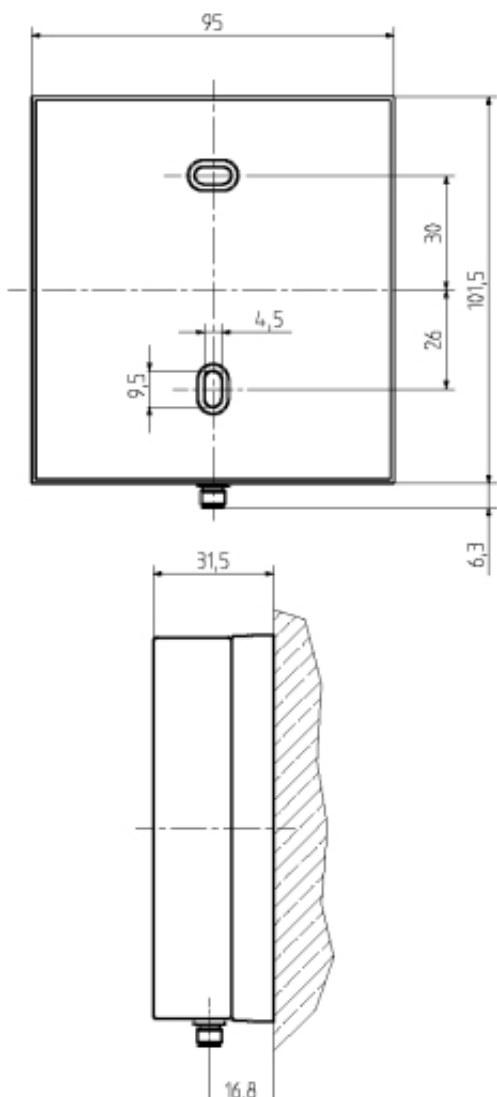
Antenna Kits - Patch Antennas

Description:

Complete antenna kit for outdoor use, especially for wireless bridges with ranges up to 2km@11Mbps. Includes 6m antenna cable, overvoltage protector and a mast and wall mounting kit. The amplifier is connected to the antenna via a 1m pigtail and is mounted near by the antenna. The power injection is done at the ComPoint by an extra power supply and a Bias-T

Features:

- ItemANT-BRKIT-2k-6m
- OrderNo600352
- RangeAt 11Mbps approx. 2km with line of sight
- PolarisationLinear vertical, RX +45°, TX -45°
- Elevation, Azimuth65°, 70°
- VSWR2.0
- GainTX 6.5dBi, RX 29dBi
- Separated Ports30dB
- ConnectorTNC jack
- Weight, MeasurementsApprox. 100g, 101mm by 95mm by 32mm
- ColorLight grey, RAL 7035
- Operating Temperature-40°C to +80°C
- Storage Temperature-40°C to +80°C
- Wind load15N at 160km/h





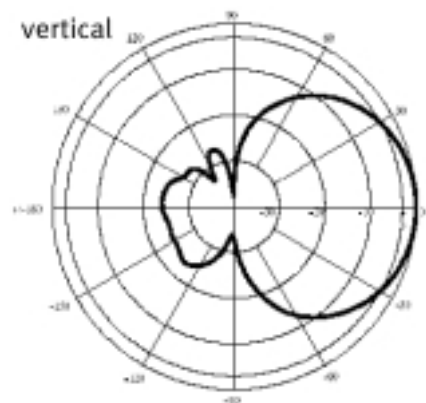
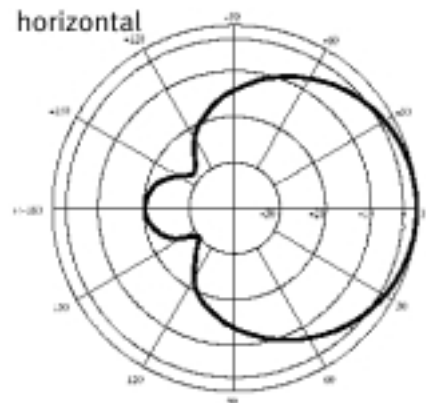
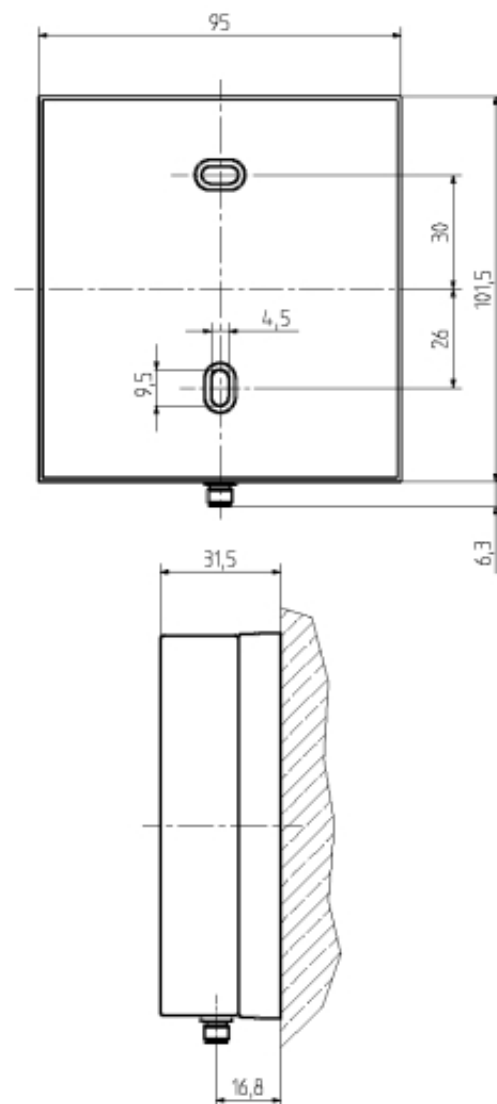
Antenna Kits - Patch Antennas

Description:

Complete antenna kit for outdoor use, especially for wireless bridges with ranges up to 50m@54Mbps. Includes 6.5m antenna cable, overvoltage protector and a mast and wall mounting kit. The amplifier is connected to the antenna via a 1m pigtail and is mounted near by the antenna. The power injection is done at the ComPoint by an extra power supply and a Bias-T

Features:

Item	ANT-BRKIT-W54g-50m-6,5m
OrderNo600388
RangeAt 54Mbps approx. 50m with line of sight
PolarisationLinear vertical
Elevation, Azimuth60°, 75°
VSWR1.5
Gain8.5dBi (with appropriate cable 5dBi)
ConnectorTNC jack
Weight, MeasurementsApprox. 100g, 101mm by 95mm by 32mm
ColorLight grey, RAL 7035
Operating Temperature	-.40°C to +80°C
Storage Temperature	-.40°C to +80°C
Wind load15N at 160km/h



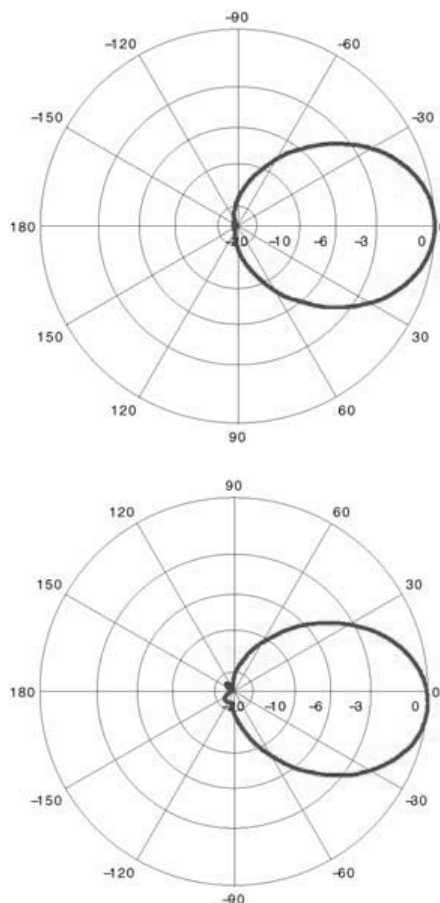
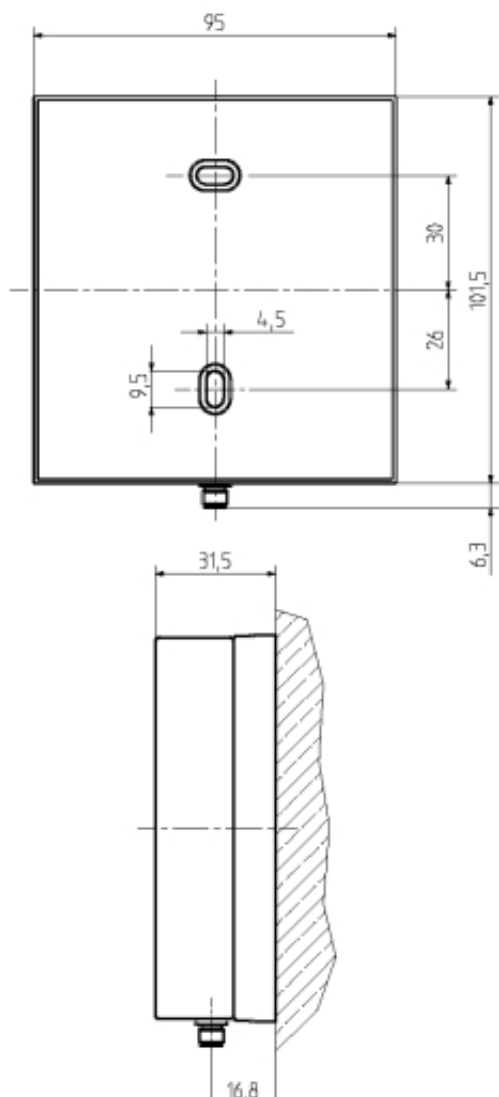
Antenna Kits - Patch Antennas

Description:

Complete antenna kit for outdoor use, especially for wireless bridges with ranges up to 400m@54Mbps. Includes 6m antenna cable, overvoltage protector and a mast and wall mounting kit. The amplifier is connected to the antenna via a 1m pigtail and is mounted near by the antenna. The power injection is done at the ComPoint by an extra power supply and a Bias-T

Features:

- ItemANT-BRKIT-W54g-400m-6m
- OrderNo600393
- RangeAt 54Mbps approx. 400m with line of sight
- PolarisationLinear vertical, RX +45°, TX -45°
- Elevation, Azimuth65°, 70°
- VSWR2.0
- GainTX 6.5dBi, RX 29dBi
- Separated Ports30dB
- ConnectorTNC jack
- Weight, MeasurementsApprox. 100g, 101mm by 95mm by 32mm
- ColorLight grey, RAL 7035
- Operating Temperature-40°C to +80°C
- Storage Temperature-40°C to +80°C
- Wind load15N at 160km/h





Antenna Kits - Patch Antennas

ANT-BRKIT-700m-3,5m:

DescriptionAntenna kit with 3.5m cable and antenna ANT-TNC.B-D-085-03
 OrderNo600251
 RangeAt 11Mbps approx. 700m with line of sight
 Gain5dBi
 ConnectorTNC plug
 Cable TypeRG 58
 Cable Length3.5m

ANT-BRKIT-700m-2*3,5m:

DescriptionAntenna kit with 2*3.5m cable and antenna ANT-2TNC.B-D-085-04
 OrderNo600303
 RangeAt 22Mbps approx. 700m with line of sight
 Gain5dBi
 ConnectorTNC plug
 Cable TypeRG 58
 Cable Length2*3.5m

ANT-BRKIT-700m-7m:

DescriptionAntenna kit with 7m cable and antenna ANT-TNC.B-D-085-03
 OrderNo600252
 RangeAt 11Mbps approx. 700m with line of sight
 Gain5dBi
 ConnectorTNC plug
 Cable TypeRG 213
 Cable Length7m

ANT-BRKIT-700m-2*7m:

DescriptionAntenna kit with 2*7m cable and antenna ANT-2TNC.B-D-085-04
 OrderNo600304
 RangeAt 22Mbps approx. 700m with line of sight
 Gain5dBi
 ConnectorTNC plug
 Cable TypeRG 213
 Cable Length2*7m

ANT-BRKIT-700m-15m:

DescriptionAntenna kit with 15m cable and antenna ANT-TNC.B-D-120
 OrderNo600253
 RangeAt 11Mbps approx. 700m with line of sight
 Gain / Polarisation4.5dBi, linear vertical
 ConnectorTNC plug
 Cable TypeRG 213
 Cable Length15m

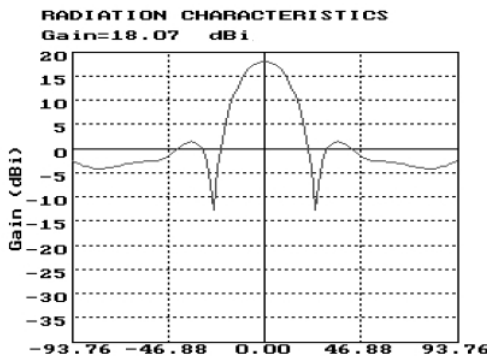
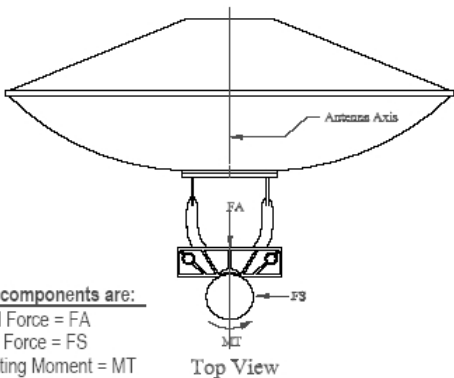
Antenna Kits - Dish Antennas

Description:

Complete antenna kit for outdoor use, especially for wireless bridges with ranges up to 1km@54Mbps. Includes 20m antenna cable, overvoltage protector and a mast and wall mounting kit. The amplifier is connected to the antenna via a 1m pigtail and is mounted near by the antenna. The power injection is done at the ComPoint by an extra power supply and a Bias-T.

Features:

- ItemANT-BRKIT-W54g-1km-20m
- OrderNo600429
- RangeAt 54Mbps approx. 1km with line of sight
- PolarisationLinear
- Elevation, Azimuth20.1°
- Gain18.1dBi
- ConnectorN female (antenna), with pigtail to TNC male
- Weight, MeasurementsApprox. 1.5kg, 450mm
- ColorLight grey
- MaterialUV resistant ABS plastic
- Operating Temperature-40°C to +80°C
- Storage Temperature-40°C to +80°C
- Mast Diameter30 - 63mm
- Cable Length20m





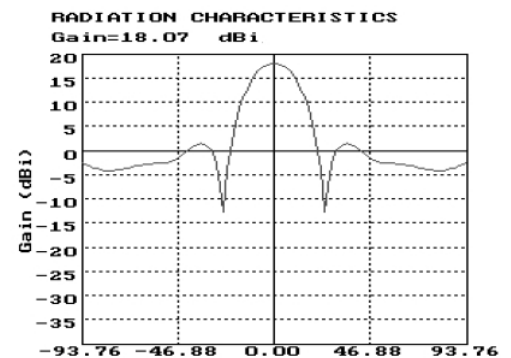
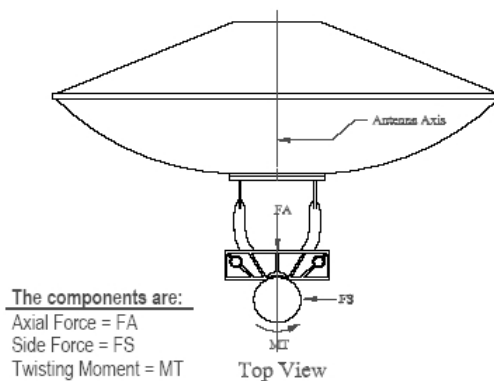
Antenna Kits - Dish Antennas

Description:

Complete antenna kit for outdoor use, especially for wireless bridges with ranges up to 6km@11Mbps. Includes 20m antenna cable, overvoltage protector and a mast and wall mounting kit. The amplifier is connected to the antenna via a 1m pigtail and is mounted near by the antenna. The power injection is done at the ComPoint by an extra power supply and a Bias-T.

Features:

Item	ANT-BRKIT-6km-20m
OrderNo600342
Range	Outdoors with line of sight approx. 6km
Polarisation	Linear
Elevation, Azimuth20.1°
Gain18.1dBi
Connector	N female (antenna), with pigtail to TNC male
Weight, Measurements	Approx. 1.5kg, 450mm
Color	Light grey
Material	UV resistant ABS plastic
Operating Temperature	-40°C to +80°C
Storage Temperature	-40°C to +80°C
Mast Diameter30 - 63mm
Cable Length20m



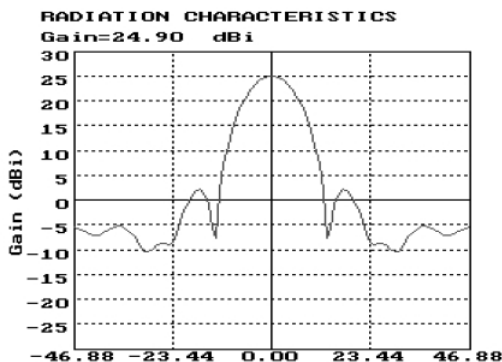
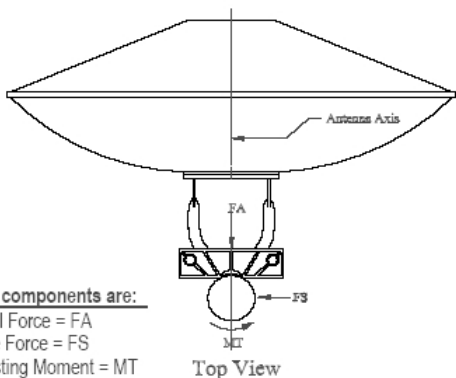
Antenna Kits - Dish Antennas

Description:

Complete antenna kit for outdoor use, especially for wireless bridges with ranges up to 12km@11Mbps. Includes 20m antenna cable, overvoltage protector and a mast and wall mounting kit. The amplifier is connected to the antenna via a 1m pigtail and is mounted near by the antenna. The power injection is done at the ComPoint by an extra power supply and a Bias-T.

Features:

- ItemANT-BRKIT-12km-20m
- OrderNo600376
- RangeOutdoors with line of sight approx. 12km
- PolarisationLinear
- Elevation, Azimuth10.5°
- Gain24.9dBi
- ConnectorN female (antenna), with pigtail to TNC male
- Weight, MeasurementsApprox. 4.0kg, 820mm
- ColorLight grey
- MaterialUV resistant ABS plastic
- Operating Temperature-40°C to +80°C
- Storage Temperature-40°C to +80°C
- Mast Diameter30 - 63mm
- Cable Length20m





Antenna Accessories

ACC-EMP-2TNC.B-G:

DescriptionLightning Arrestor with 2 TNC jacks
OrderNo600279

ACC-EMP-TNC.S-TNC.B-G:

DescriptionLightning arrester TNC jack <--> TNC plug
OrderNo600309

Legal Notices

All product names are trade marks of Artem or of the respective owner and will be accepted hereby. All statements are valid at the time of publishing and can be changed without any announcements.

©2004 Artem GmbH. All rights reserved. Duplications, changes or translations are not allowed without permission of Artem.

Contact

Address

Artem GmbH
Olgastr. 152
D-89073 Ulm, Germany

General

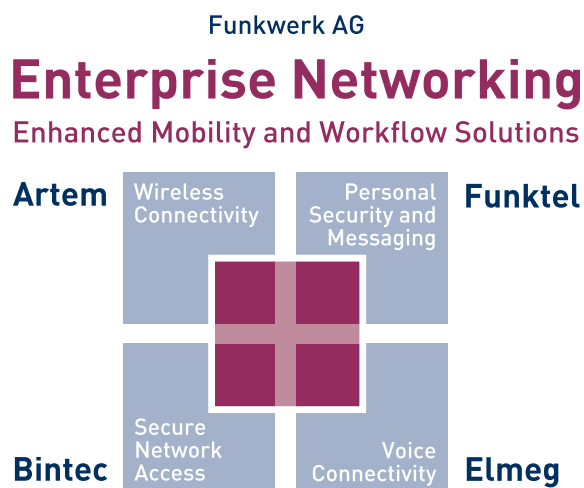
Phone: +49-731-1516 0
Fax: +49-731-1516 390
eMail: info@artem.de

Sales Hotline

Phone: +49-731-1516 333
Fax: +49-731-1516 390
eMail: info@artem.de

Technic Hotline

Phone: +49-731-1516 222
ax: +49-731-7290 728
eMail: techsupp@artem.de



Artem is part of the Enterprise Networking division of Funkwerk AG. Together with our affiliated companies Bintec, Elmeg and Funktel, we provide professional solutions for mobility and workflow optimization.